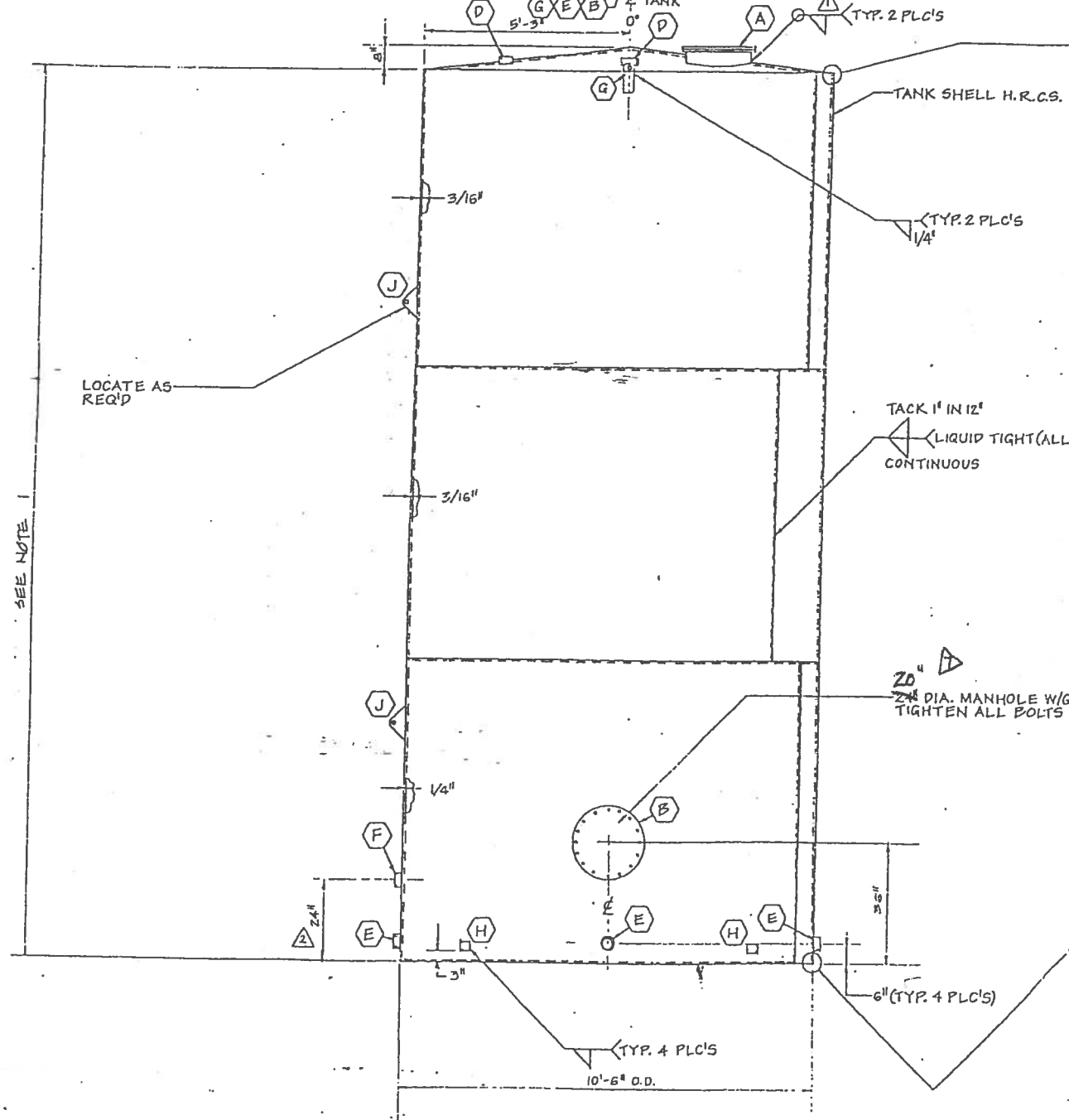
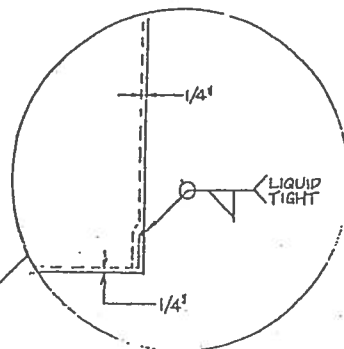


MARK	QUAN.	SIZE	DESCRIPTION
J	2		SIDE LIFT LUGS
H	4		5"X3"X3/8"X3" LONG
G	2		LIFT LUGS
F	1	4"	FULL CPLG.
E	4	4"	FULL CPLG.
D	4	4"	FULL CPLG.
B	1	24"	SHELL MANWAY
A	1	20"	ROOF MANWAY WITH 4 EACH 1/2"X4" BOLTS



NOTES:

- HEIGHT OF TANK
12,000 GAL. - 18'-7"
15,000 GAL. - 23'-3"
 - TEST PRESSURE TO BE 1/2 P.S.I. AIR MIN. & 5 P.S.I. MAX.
 - CONSTRUCTION TO MEET UNDERWRITERS LABORATORIES REQUIREMENTS AND SO LABELED.
 - EXTERIOR OF TANK SURFACE ONLY TO BE PREPARED IN ACCORDANCE WITH STEEL STRUCTURE PAINTING COUNCIL CODE #SSPC-SP3-6-5-T.
REMOVE LOOSE RUST & MILL SCALE BY SANDBLASTING & POWER TOOL WIRE BRUSHING AND GRINDING.
 - AFTER SURFACE PREPARATION, APPLY (1) COAT OF WHITE OXIDE PAINT AND (2) COATS OF ALKYD BASE GLOSS WHITE STRUCTURAL ENAMEL, E.G. MOBIL 12-W-4. ALLOW PAINT TO DRY 16-24 HOURS BETWEEN COATS TO INSURE PROPER SEALING.
 - COAT BOTTOM OF TANK (EXTERIOR ONLY) AND 4" UP SIDES WITH BUFFING OR MOBIL GILCO-MASTIC #35-J-B OR APPROVED EQUAL.
- ⚠ TO BE USED WITH FILLET. CRG. D3146.



SEE NOTE 1

LOCATE AS REQ'D

⚠	ADDED 1/4" T	EL
⚠	REVISED & REPRAVIN	JW
⚠	MOVED DIMENSION	CS
⚠	TANK TEST PRESSURE WERE 5 MIN. & 7 MAX.	RD
⚠	ALLIFIED W/OUT THE TPA FOR TOP MANHOLE, STOP NOTE FOR BELOW LIQUID MANHOLE	RD
⚠	NUMBER OF COATS TO BE 3 INSTEAD OF 2 AT BOTTOM OF TANK TO 1" INSTEAD OF 4" INSTEAD OF 2"	RD
KEY	DESCRIPTION	BY

safety-kleen corp.
777 OG TOWER ROAD • ELGIN, ILLINOIS 60120 PHONE 312/318

12K & 15K GAL. 10'-6" Ø VERTI TANK FAB. DETAILS FLAT BOT

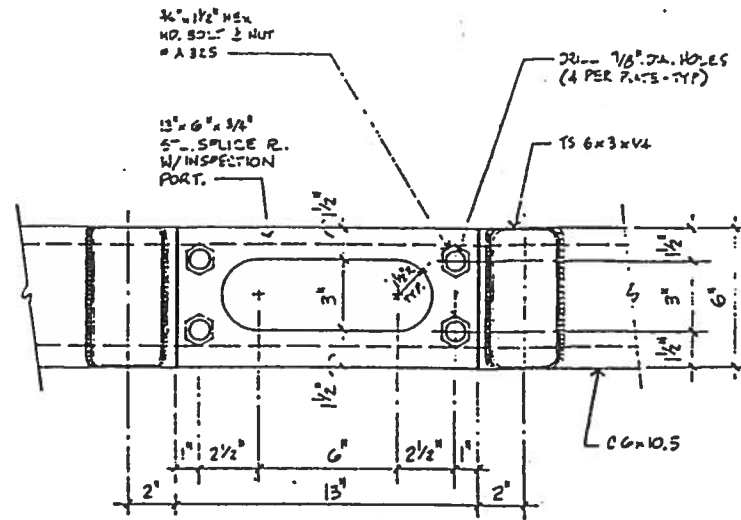
⚠	ADDED 1/4" T	EL
⚠	ADDED 1/4" T	RD
⚠	ADDED 1/4" T	RD
⚠	ADDED 1/4" T	RD

For: SERVICE CENTER UPGRADE & IOR CONSTRUCTION **D105**

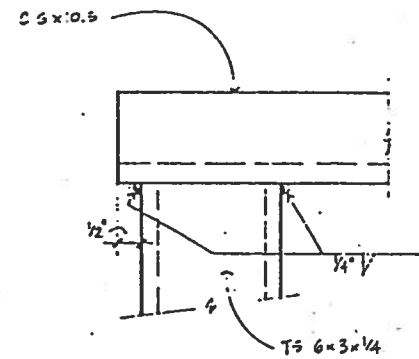
⚠ Revised 06-29-06 RGS

GENERAL NOTES

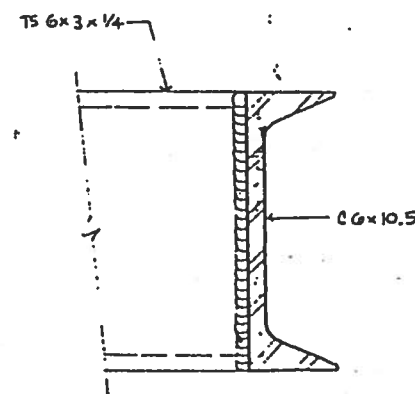
1. ALL STEEL SURFACES TO BE PREPARED IN ACCORDANCE WITH "STEEL STRUCTURE PAINTING COUNCIL"
PRIOR TO PAINTING STEEL, REMOVE LOOSE RUST & MILL SCALE BY SANDBLASTING AND POWER TOOL WIRE BRUSHING AND GRINDING.
AFTER SURFACE PREPARATION, APPLY (1) COAT OF WHITE OXIDE PAINT AND (2) COATS OF ALKYL BASE GLOSS WHITE STRUCTURAL ENAMEL, E.G. MOBIL 12-11-4. ALLOW PAINT TO DRY 16-24 HOURS BETWEEN COATS TO INSURE PROPER SEALING.
2. STEEL TUBE TO CONFORM TO ASTM A500 (F_y = 42 K.S.I.)
ALL OTHER STEEL TO CONFORM TO ASTM A 36
3. ALL WELDS TO BE E70 ELECTRODES.
4. SKID SHOWN IS DESIGNED FOR THE FOLLOWING TANK CONTAINING LIQUID HAVING A SPECIFIC GRAVITY OF LESS THAN 1.0.
A. 12,000 GALLON, 10'-6" DIAMETER
B. 15,000 GALLON, 10'-6" DIAMETER



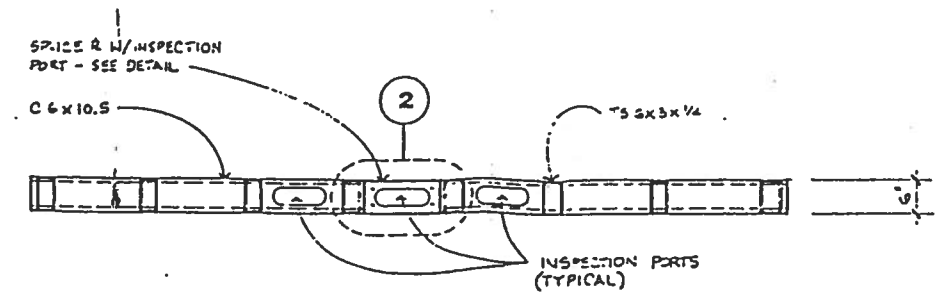
2 DETAIL
NTS



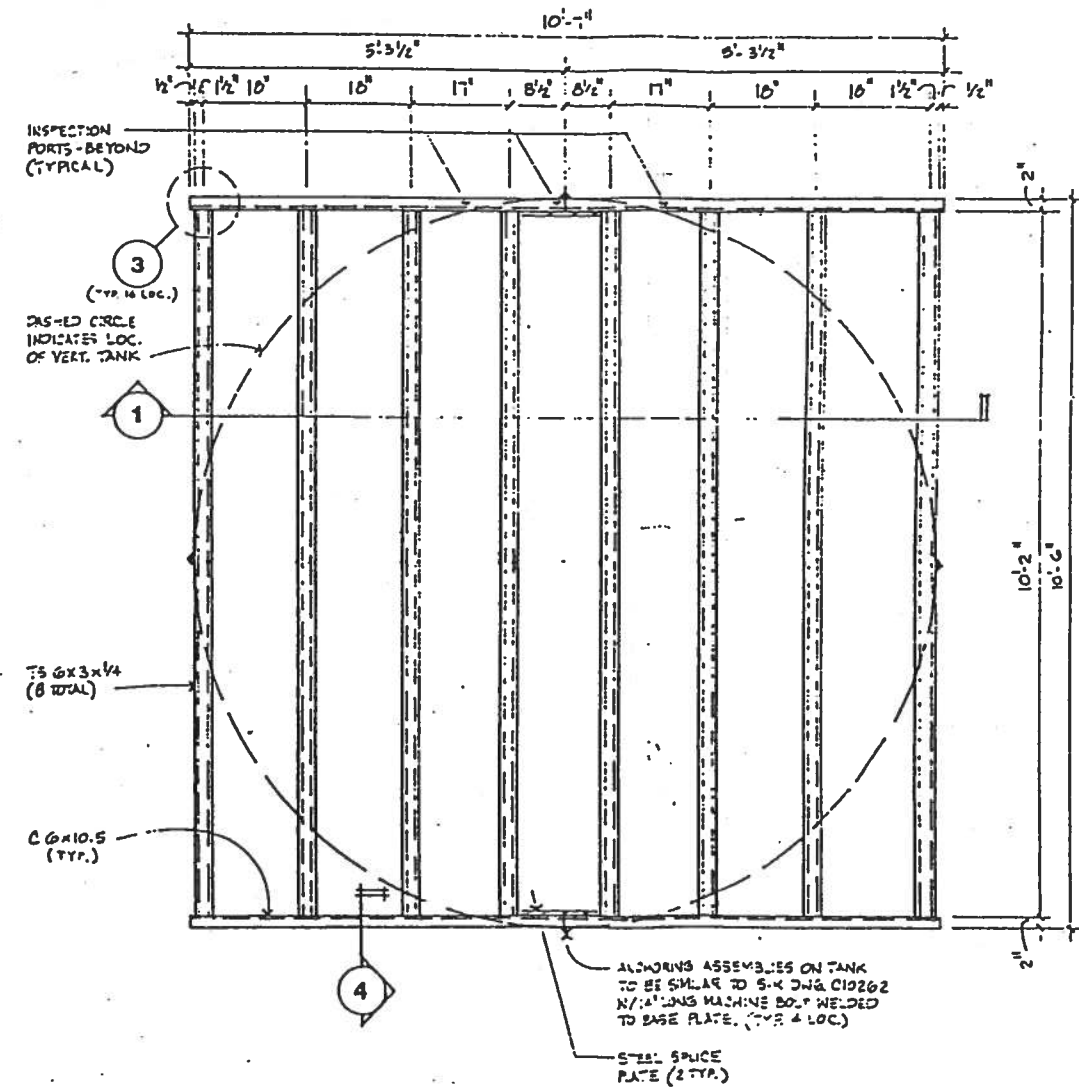
3 DETAIL
NTS



4 DETAIL
NTS



1 SECTION
SCALE: 3/4"=1'-0"



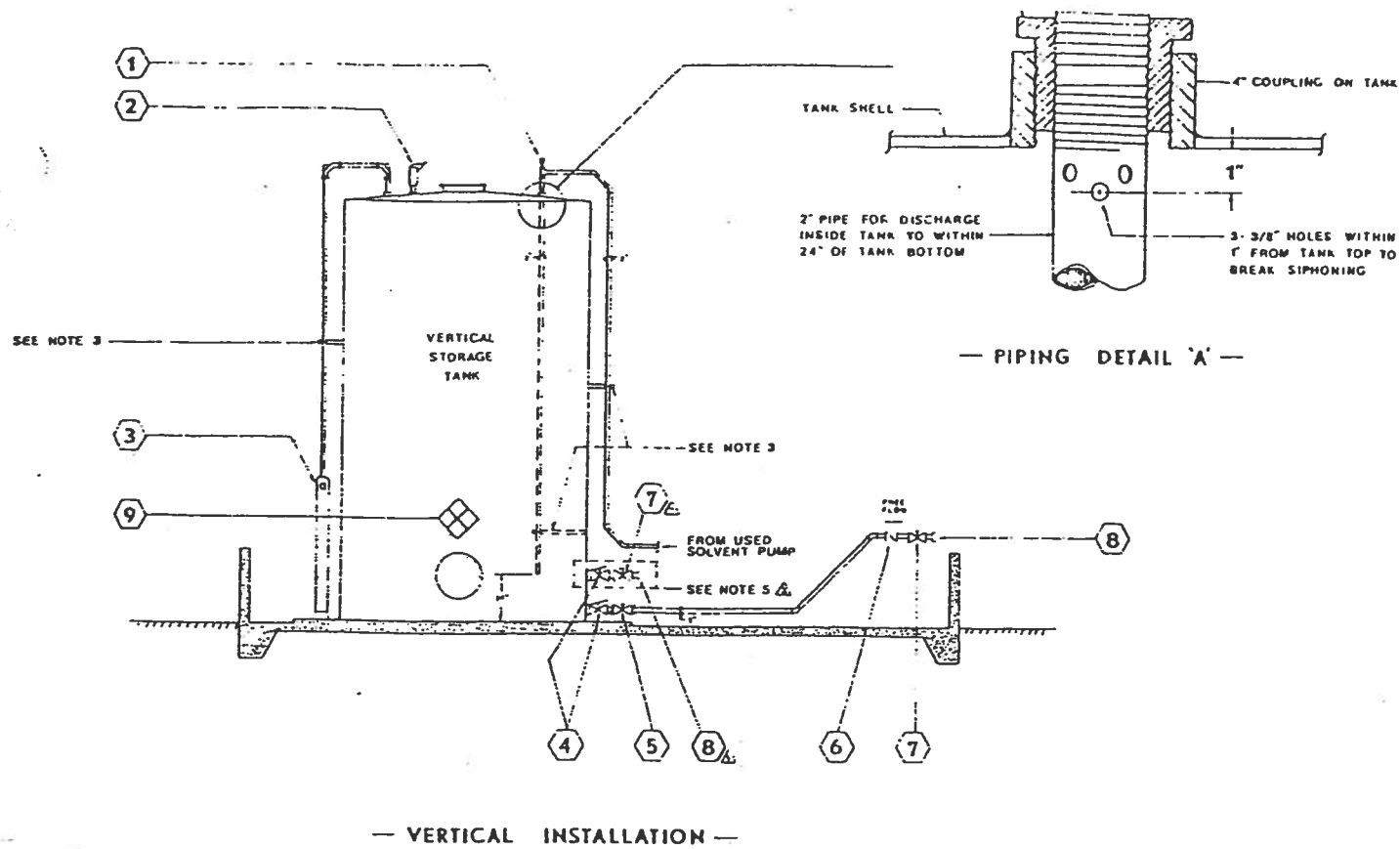
FLOOR PLAN
SCALE: 3/4"=1'-0"

S safety-kleen corp.
17700 DE TUNER ROAD • ELLEN LANDING OHIO PHONE 216/877-6488

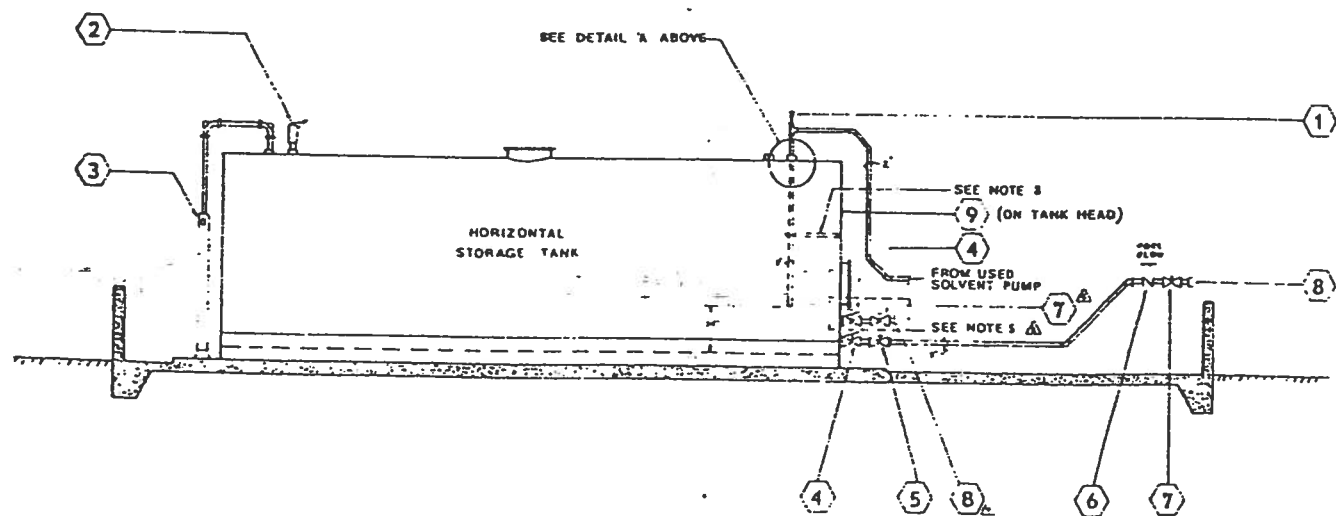
TANK SKID

DATE	BY	CHKD	APP'D
8-2-88	A. S. S. S.		
EN			

FOR SERVICE CENTER BRANCH **D13146**



— VERTICAL INSTALLATION —



— HORIZONTAL INSTALLATION —

— EQUIPMENT / FIXTURE SCHEDULE —				
MARK	SIZE	DESCRIPTION	SK. PART NO.	REMARKS
①	3/8"	3/8" AUTOMATIC VACUUM BREAKERS MORRISON BROS. FIG. 134-A	5274	—
②	2"	2" SCREWED PRESSURE/VACUUM VENT MORRISON BROS. FIG. 526 (2 OZ. PRESSURE - 1 OZ. VACUUM)	5273	—
③		TANK GAUGE - MORRMAN BROS. MODEL NO. 7-5	5277	SEE INSTALLATION DETAILS ON SAFETY- KLEEN DWG. A10243
④	3"	3" INTERNAL EMERGENCY VALVE MORRISON BROS. FIG. 272-RO W/212°F FUSIBLE LINK	5267	SEE INSTALLATION DETAILS ON SAFETY- KLEEN DWG. C11302
⑤	3"	3" DUCTILE IRON GATE VALVE W/ROUND FLANGED ENDS - MORRISON BROS. FIG. 234-D	5276	SEE INSTALLATION DETAILS ON SAFETY- KLEEN DWG. C11302
⑥	3"	3" BRONZE CHECK VALVE - MORRISON BROS. FIG. 246-A	5266	—
⑦	3"	3" BRONZE GATE VALVE - MORRISON SRCS. FIG. 235-B LOCKING TYPE	5265	—
⑧	3"	3" ALUMINUM CAM LOCK QUICK COUPLING - MORRISON BROS. MALE ADAPTER PART F W/DUST CAP & CHAIN	5264	COUPLING TO BE INSTALLED SIX (6) INCHES ABOVE & SIX (6) INCHES INSIDE TOP OF DIKE WALL.
⑨	—	NFPA MATERIAL IDENTIFICATION PLACARD	252	DISPLAY IN PLAIN SIGHT ABOVE DIKE WALL

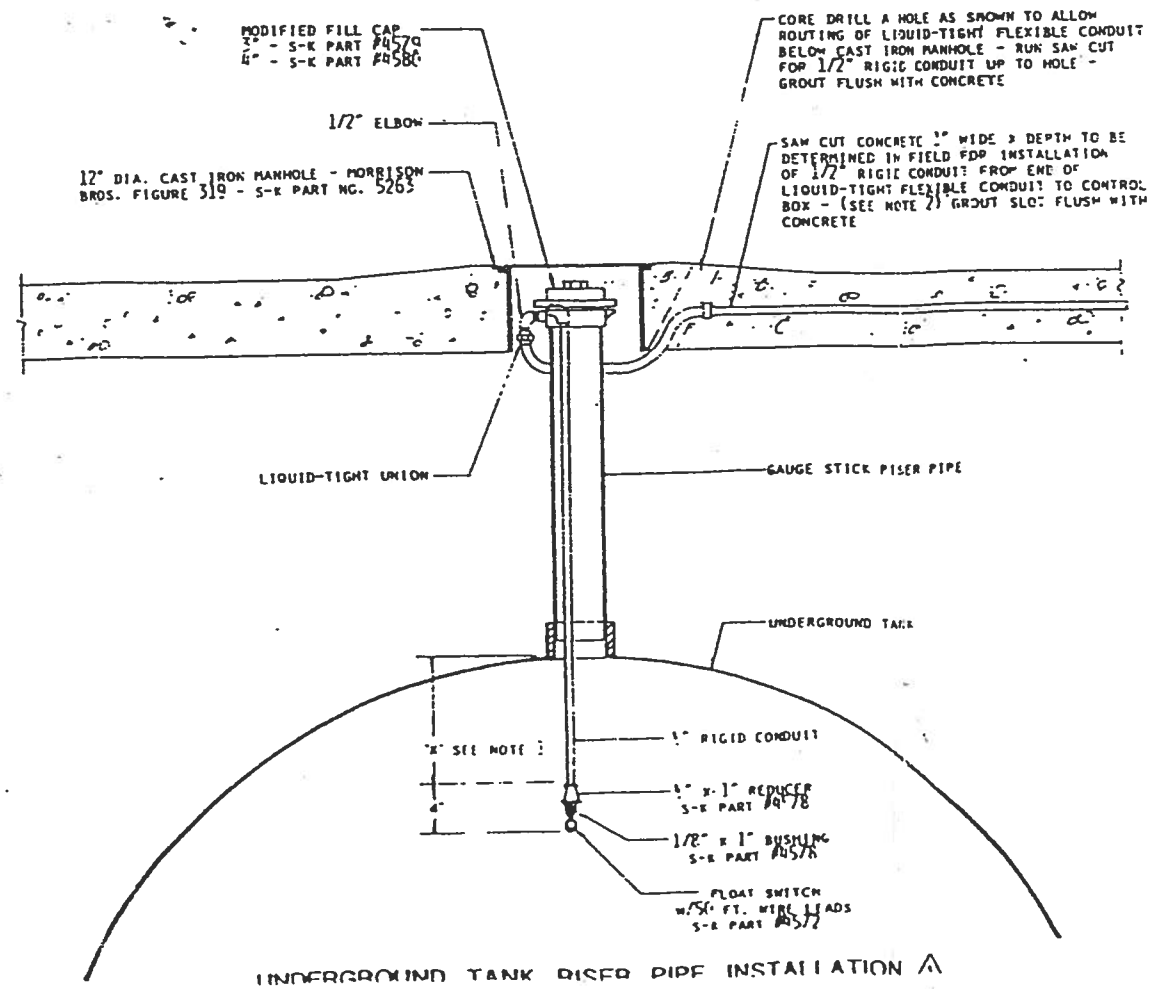
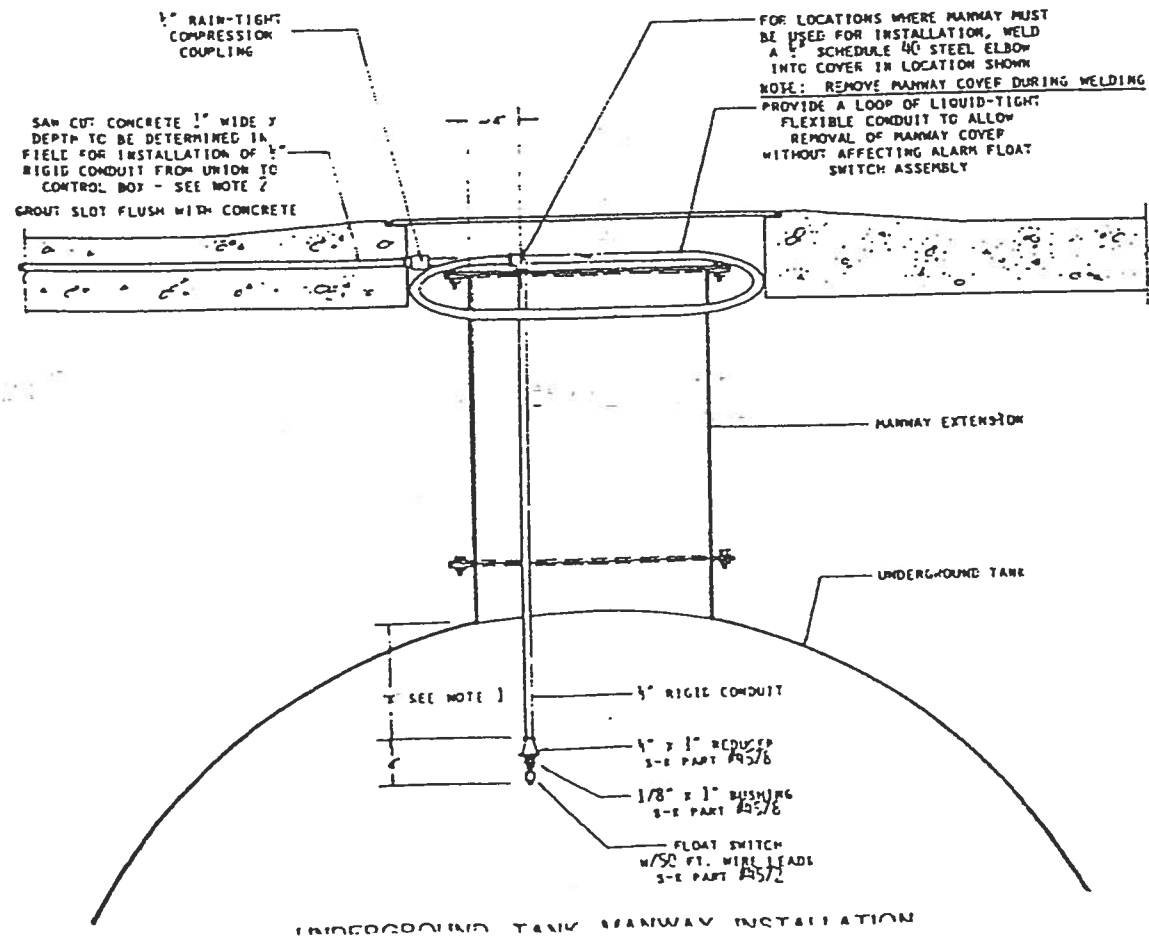
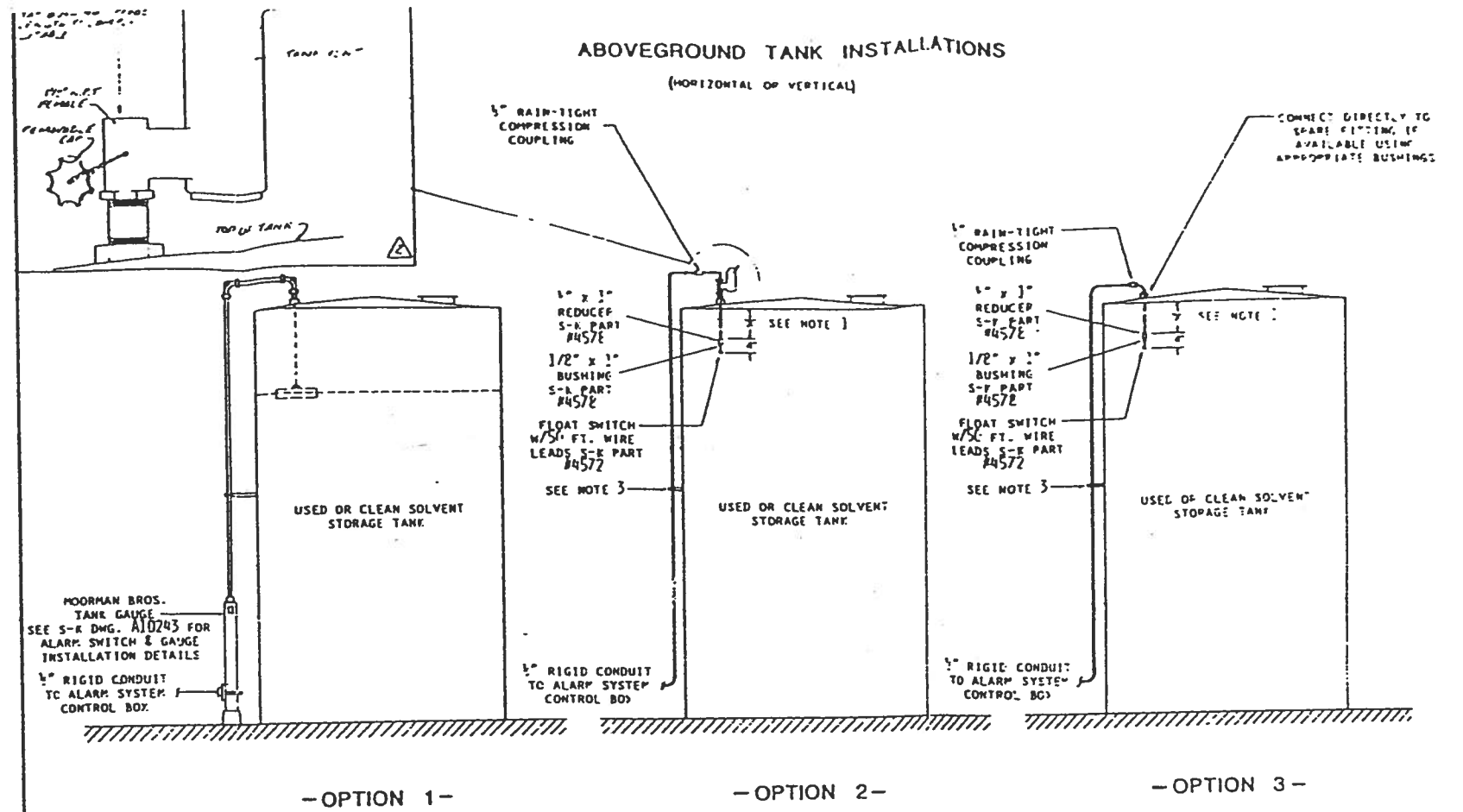
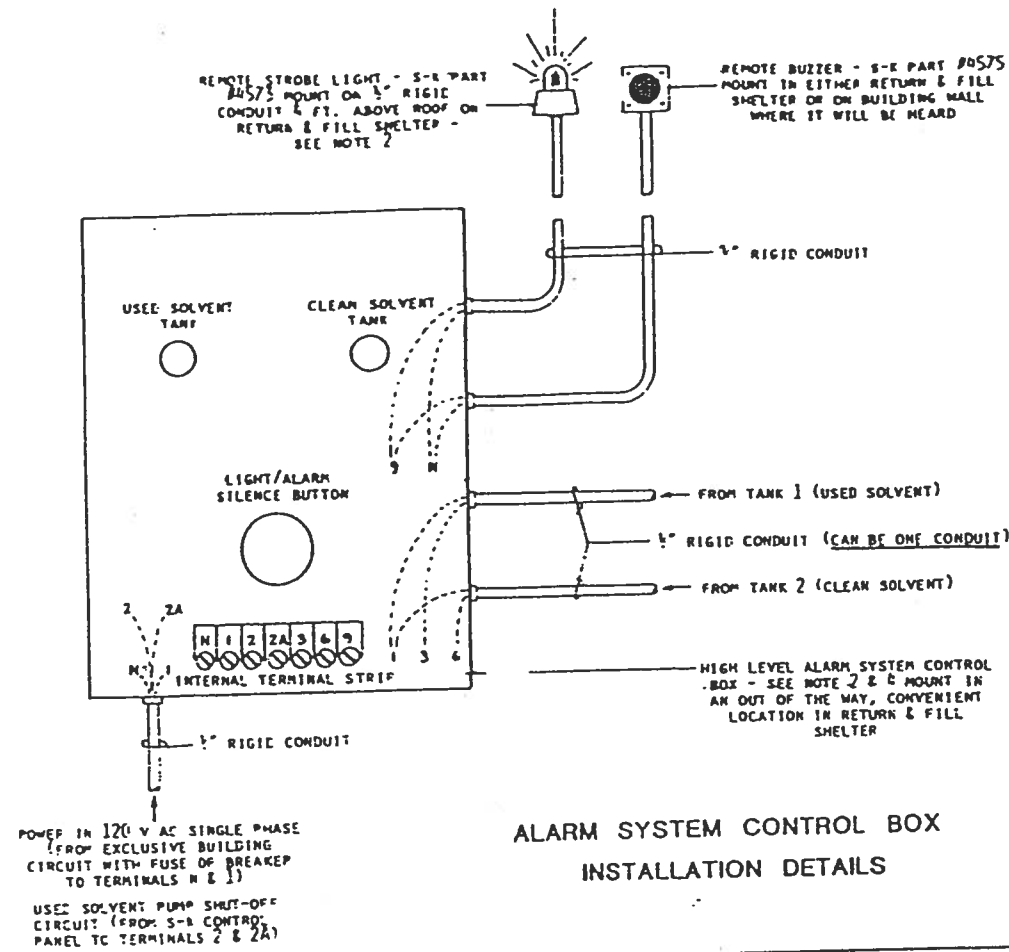
— GENERAL NOTES —

- ① THIS DRAWING SUPERCEDES SAFETY-KLEEN CORP. DRAWINGS C10235 & C10235.
- ② SEE INDIVIDUAL SERVICE CENTER SITE PLANS FOR DIKE DIMENSIONS AND RELATED INFORMATION AND ALSO LOCATION AND ARRANGEMENT OF THESE PIPING DETAILS.
- ③ ALL PIPING TO BE SCHEDULE 40 GALVANIZED AND BE SUPPORTED EVERY EIGHT (8) RUNNING FEET - CONTRACTOR TO SUPPLY ALL BRACKETS, CLAMPS, ETC. AS REQUIRED FOR SUPPORTING PIPE - ALL EXPOSED THREADS AT JOINTS TO BE PAINTED WITH A RUST RESISTANT EXTERIOR GRADE PAINT. PIPING SUPPORT HARDWARE TO BE UNISTRUT BRAND OF APPROVED EQUIVALENT.
- ④ ALL DIRECTION CHANGES IN DIRTY SOLVENT LINES TO BE MADE USING A COMBINATION OF 45° ELBOMS OR LONG SWEEP 90° ELBOMS.
- ⑤ THIS INSTALLATION TO BE MADE WHERE NEW TANKS ARE TO BE INSTALLED AT ANY LOCATIONS PRONE TO FREEZING. SEE INSTALLATION DETAILS ON SAFETY-KLEEN DWG. C11302
- ⑥ ALL ITEMS WITH SAFETY-KLEEN PART NO. REFERENCES WILL BE SUPPLIED TO CONTRACTOR.

THIS DRAWING CONTAINS INFORMATION PROPRIETARY TO SAFETY-KLEEN CORP. ANY REPRODUCTION, DISCLOSURE OR USE OF THIS DRAWING IS EXPRESSLY PROHIBITED EXCEPT BY SAFETY-KLEEN OR AS SAFETY-KLEEN MAY AGREE IN WRITING.

NO.	REVISION DESCRIPTION	BY	DATE
①	REVISED 3" PIPING - ABOVE VALVE/CAMLOCK	W.L.J.	4-10-85
②	ADDED ITEM 9 TO SCHEDULE & DRAWING	W.L.J.	7-15-85
③	ADDED NOTE 6	W.L.J.	10-25-85
④	REVISED DETAIL IN NOTE 6 SHOWN ON DWG	W.L.J.	11-5-85
⑤	ADDED NOTE 6 TO NOTES & TO DRAWING	W.L.J.	11-20-85

Safety-Kleen Corp. EXHIBIT 2-7
 USED SOLVENT STORAGE TANK INSTALLATION DTL'S
 FOR SERVICE CENTER BRANCH IMPROVEMENTS & OR CONSTRUCTION
 NO. SCALE
 DATE W.L.J. 11-20-85
 D11124



- GENERAL NOTES -**
- 1 THE "X" DIMENSION SHOWN IS VARIABLE & IS DIFFERENT FOR VARIOUS TANK TYPES & SIZES. FOR TABLE OF THESE VALUES REFER TO SAFETY-CLEAN DWG. D-1000
 - 2 SEE INDIVIDUAL SERVICE CENTER SITE PLANS FOR RELATIVE LOCATIONS OF THESE DETAILS
 - 3 CONTRACTOR TO SUPPLY & INSTALL CONDUIT SUPPORTS &/OR BRACKETS AS REQUIRED
 - 4 KITS FOR INITIAL INSTALLATION OF HIGH LEVEL ALARM SYSTEMS ARE AVAILABLE FROM NEW BERLIN THROUGH THE TECHNICAL SERVICES DEPT. AS FOLLOWS:
 - TANK KIT - S-K PART #4577
 - FLOAT SWITCHES W/COUPLING & BUSHING - CONTROL BOX (4 TANK SIZE)
 - STROBE LIGHT
 - BUZZER
 - TANK KIT - S-K PART #4578
 - FLOAT SWITCHES W/COUPLING & BUSHING - CONTROL BOX (4 TANK SIZE)
 - STROBE LIGHT
 - BUZZER
 - 5 THIS DRAWING CONTAINS INFORMATION PROPRIETARY TO SAFETY-CLEAN CORP. ANY REPRODUCTION, DISCLOSURE OR USE OF THIS DRAWING IS EXPRESSLY PROHIBITED BY SAFETY-CLEAN OR AS SAFETY-CLEAN MAY AGREE IN WRITING
 - 6 ALL ITEMS SHOWN WITH A SAFETY-CLEAN PART NUMBER WILL BE SUPPLIED BY SAFETY-CLEAN CORP.
 - 7 IF INDIVIDUAL SERVICE CENTER CONDITIONS ARE NOT COVERED BY DETAILS SHOWN HERE, PLEASE CONTACT TECHNICAL SERVICES AT THE CORPORATE OFFICE FOR ASSISTANCE.
- REVISED U.C. TANK RISER INSTALL BY WLS/BO
 REV. DESCRIPTION BY JDA
- Safety-Clean Corp.**
HIGH LEVEL ALARM SYSTEM INSTALLATION DETAILS
 FOR SERVICE CENTER BRANCH

-TABLE OF VARIABLE 'X' DIMENSION-

ABOVEGROUND HORIZONTAL CLEAN SOLVENT TANKS OR
UNDERGROUND HORIZONTAL CLEAN & USED SOLVENT TANKS

CAPACITY (GAL.)	DIAMETER (FT.)													
	4'	5'	6'	7'	8'	9'	10'	10'6"	11'	12'	13'	14'	15'	
1000	20"	26"												
2000		14"												
3000		10"	11"											
4000		8"	9"	12"										
5000				10"	12"									
6000				8"	10"									
7000														
8000														
9000				6"	6"			10"						
10000														
11000					8"	6"	14"	14"						
12000														
13000					4"	4"	10"	10"						
14000														
15000								6"						
								8"	6"	4"				

ABOVEGROUND VERTICAL CLEAN SOLVENT TANKS

"X" DIMENSION (REGARDLESS OF CAPACITY)	DIAMETER (FT.)													
	4'	5'	6'	7'	8'	9'	10'	10'6"	11'	12'	13'	14'	15'	
					12"	8 1/2"	6"	5"	4 1/2"	3"	2"	1"	4"	

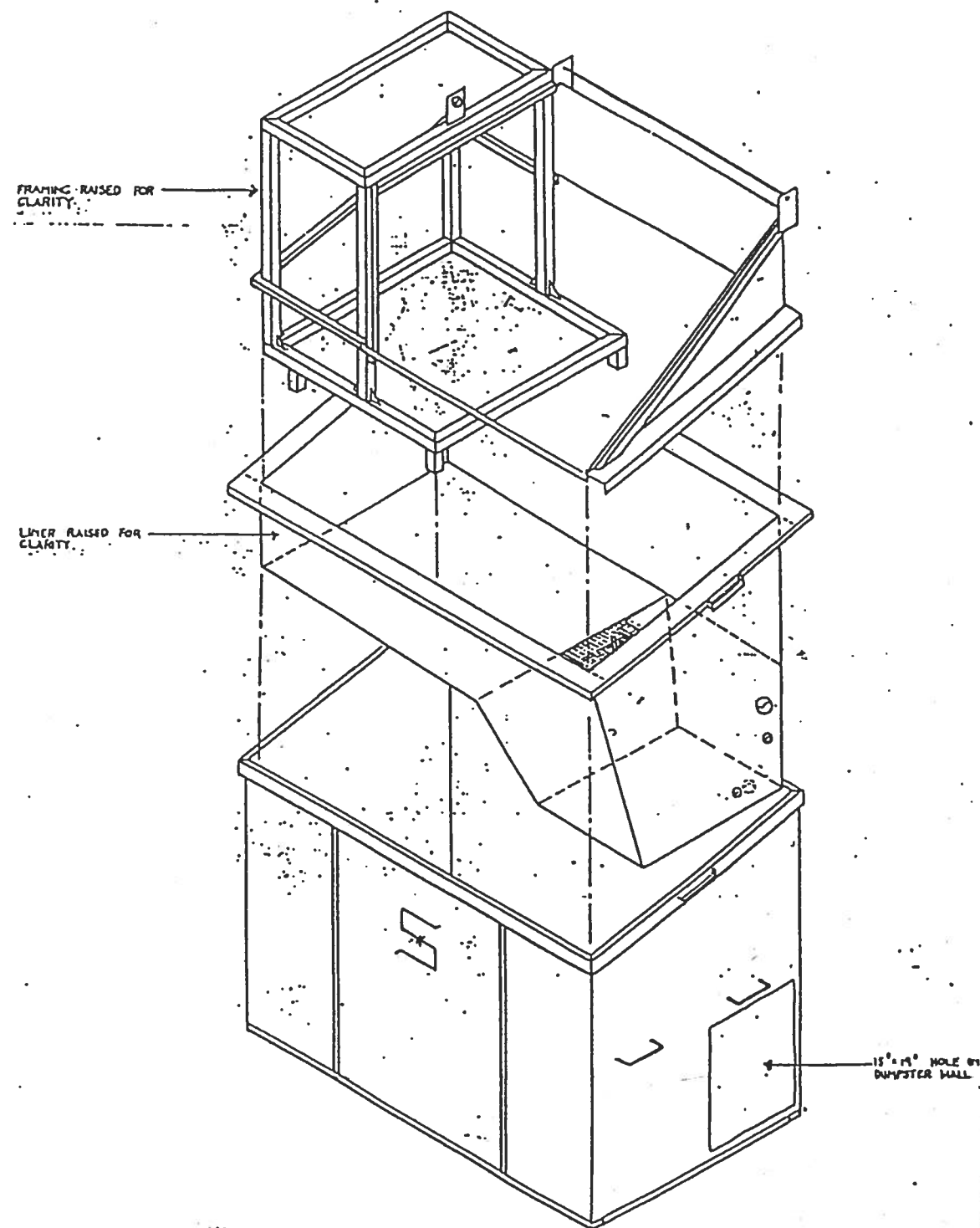
ABOVEGROUND VERTICAL OR HORIZONTAL USED SOLVENT TANKS

NOTE: THE 'X' DIMENSION SHOWN ON S-K DRAWING D11533 FOR ALL ABOVEGROUND VERTICAL OR HORIZONTAL USED SOLVENT TANKS WILL BE 5'.

-GENERAL NOTES-

- ① ELECTRICAL CONTRACTOR IS RESPONSIBLE FOR REVIEWING DRAWINGS & SCOPE OF WORK TO INSURE COMPLIANCE WITH ALL LOCAL, STATE & NATIONAL CODES - ANY ALTERATIONS &/OR ADDITIONS MUST BE RELAYED TO & APPROVED BY TECHNICAL SERVICES AT CORPORATE OFFICE PRIOR TO &/OR DURING INSTALLATION. FAILURE TO COMPLY WITH THE ABOVE WILL RELIEVE SAFETY-KLEEN CORP. OF ANY & ALL RESPONSIBILITIES.
- ② WORK THIS DRAWING WITH SAFETY-KLEEN DRAWING D11533 FOR TYPICAL INSTALLATION DETAILS - IF INDIVIDUAL SERVICE CENTER CONDITIONS ARE NOT COVERED HEREIN OR ON DRAWING D11533 PLEASE CONTACT TECHNICAL SERVICES AT THE CORPORATE OFFICE FOR ASSISTANCE.
- ③ WORK THIS DRAWING WITH SAFETY-KLEEN DRAWINGS BELOW FOR ELECTRICAL SCHEMATICS OF VARIOUS SYSTEMS AS FOLLOWS:
 D11520 - ALARM SYSTEM ELECTRICAL SCHEMATIC FOR TWO TANKS
 D11536 - ALARM SYSTEM ELECTRICAL SCHEMATIC FOR FOUR TANKS
- ④ LIQUID-TIGHT COMPRESSION OR FLEXIBLE CONDUIT COUPLINGS ARE USED AT CONDUIT CONNECTION TO TANK - TYPICAL - SEE S-K DMG. D11533. THESE ARE REQUIRED FOR SERVICING &/OR REPLACEMENT OF FLOAT SWITCH UNITS AFTER INITIAL INSTALLATION.
 TO REPLACE A FLOAT SWITCH, THE CONTRACTOR SHOULD DISCONNECT THE CONDUIT COUPLING & CUT THE 2 WIRE LEADS. THIS WILL ALLOW REMOVAL OF MANWAY COVER, MODIFIED FILL CAP, COUPLING ADAPTER, ETC. (DEPENDENT ON THE TYPE OF INSTALLATION) IN ORDER TO REMOVE OLD FLOAT SWITCH & INSTALL NEW SWITCH. THE NEW 50 FT. LEADS WILL BE PULLED THROUGH TO THE COUPLING AT THIS TIME & UNIT REINSTALLED ON TANK. IT IS AT THIS POINT THAT OLD WIRE LEADS FROM THE COUPLING BACK TO THE CONTROL BOX SHOULD BE TIED TO THE ENDS OF THE NEW WIRE LEADS - THE OLD WIRES WILL SERVE AS PULL WIRES FOR PULLING THE NEW LEADS THROUGH THE CONDUIT TO THE BOX WHERE THEY WILL BE ATTACHED TO THE APPROPRIATE TERMINALS.
- ⑤ TESTING OF THE FLOAT SWITCH & SYSTEM IS MANDATORY FOLLOWING INSTALLATION. ACTIVATING THE FLOAT SWITCH DEVICE MAY BE ACCOMPLISHED AS FOLLOWS:
 UNDERGROUND TANKS A) PRIOR TO INSTALLING MANWAY COVER ON MANWAY INSTALLATIONS.
 B) BY DRIVING A NAIL OF APPROPRIATE LENGTH CROSSWISE THROUGH THE END OF THE GAUGE STICK OR SIMILAR PROBE AND REACHING DOWN UNDER FLOAT SWITCH ON RISER PIPE INSTALLATIONS.
 ABOVEGROUND TANKS A) REACH IN THROUGH MANWAY ON TOP OF TANKS. OTHER METHODS MAY BE USED AT THE DISCRETION OF THE ELECTRICAL CONTRACTOR.
- ⑥ THIS DRAWING CONTAINS INFORMATION PROPRIETARY TO SAFETY-KLEEN CORP. ANY REPRODUCTION, DISCLOSURE OR USE OF THIS DRAWING IS EXPRESSLY PROHIBITED BY SAFETY-KLEEN OR AS SAFETY-KLEEN MAY AGREE IN WRITING.

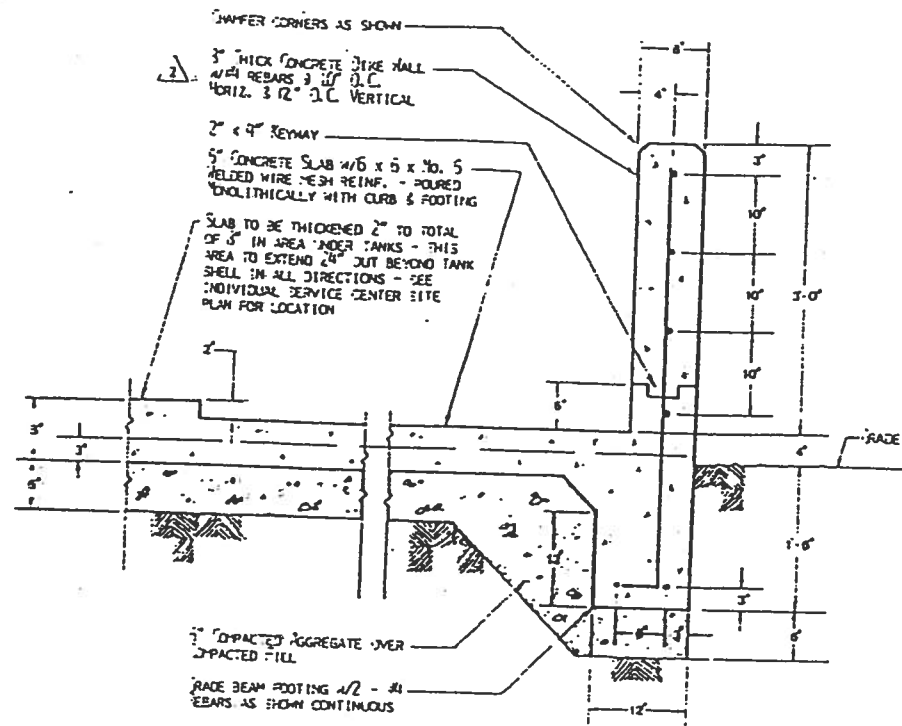
SOUTHWEST INDUSTRIAL CONSTRUCTORS, INC.



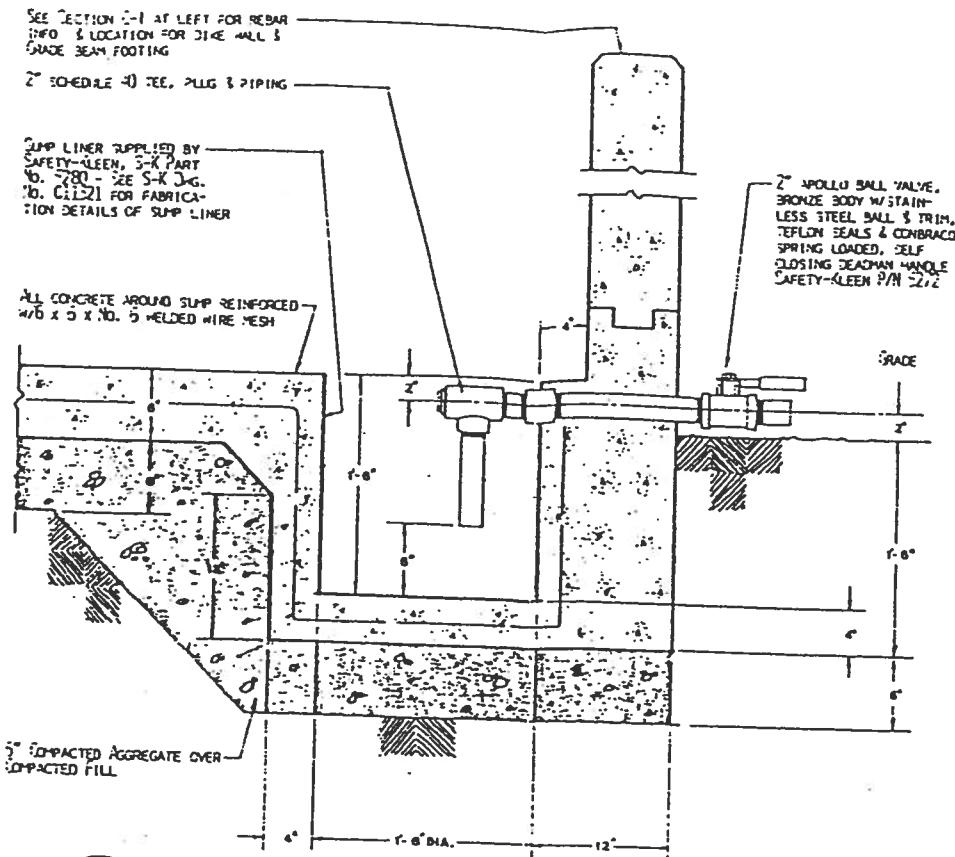
This drawing contains information proprietary to Southwest Industrial Constructors, Inc. Any reproduction or disclosure of this drawing is expressly prohibited except by Southwest Industrial Constructors or as agreed to in writing.

THIS DRAWING CONTAINS INFORMATION PROPRIETARY TO SAFETY-KLEEN CORP. ANY REPRODUCTION, DISCLOSURE OR USE OF THIS DRAWING IS EXPRESSLY PROHIBITED EXCEPT BY SAFETY-KLEEN OR AS SAFETY-KLEEN MAY AGREE IN WRITING.

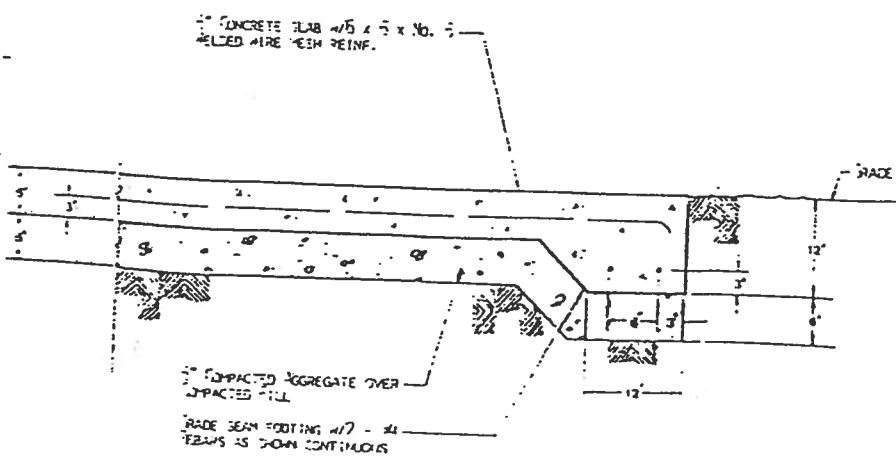
TITLE					
DRUM WASHER - ASSEMBLY					
S SAFETY-KLEEN CORP. <small>177 1/2 THORN ROAD • ELMO, LLANO, TEXAS 78601</small>					
SCALE	DRAWN	DESIGNED	ENGINEERING APPROV.	CHECKED	DATE
N.T.S.	ALI.				1-19-90
DESCRIPTION				DRAWING NO.	
STANPAKPS				STD. 1000-00	



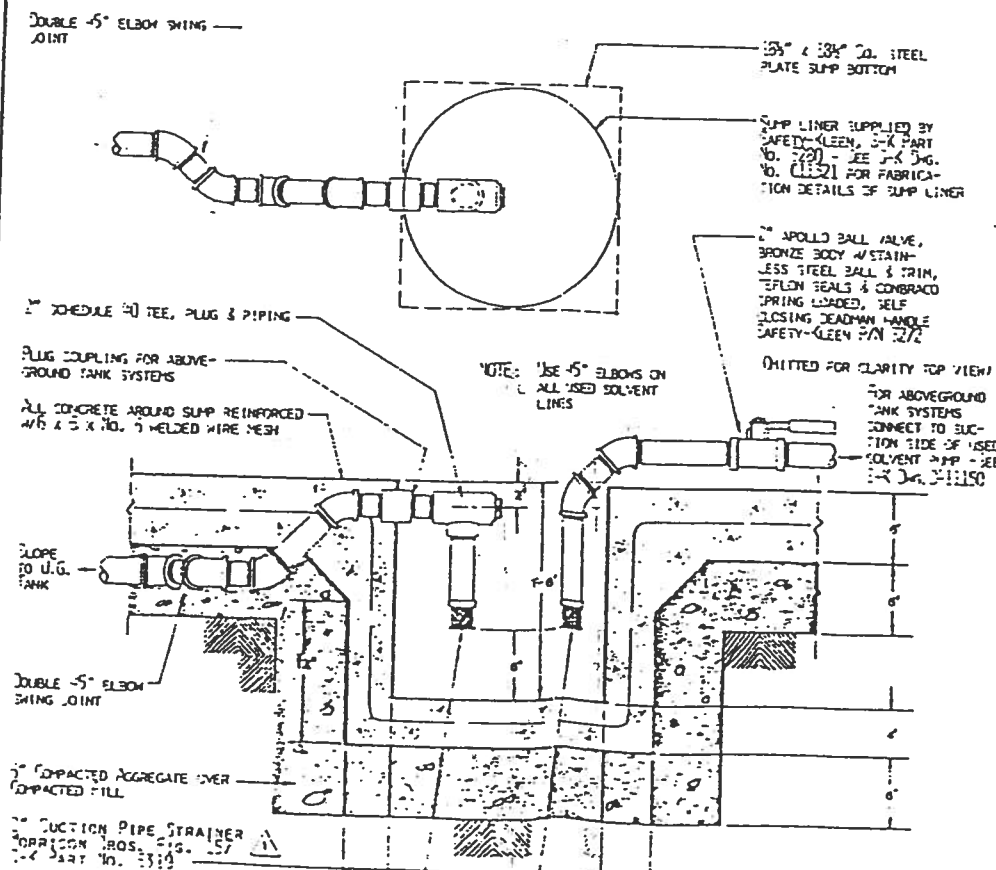
SECTION C-1 : TANK SLAB & DIKE WALL
CONSTRUCTION DETAIL
SCALE: 1" = 1'-0"



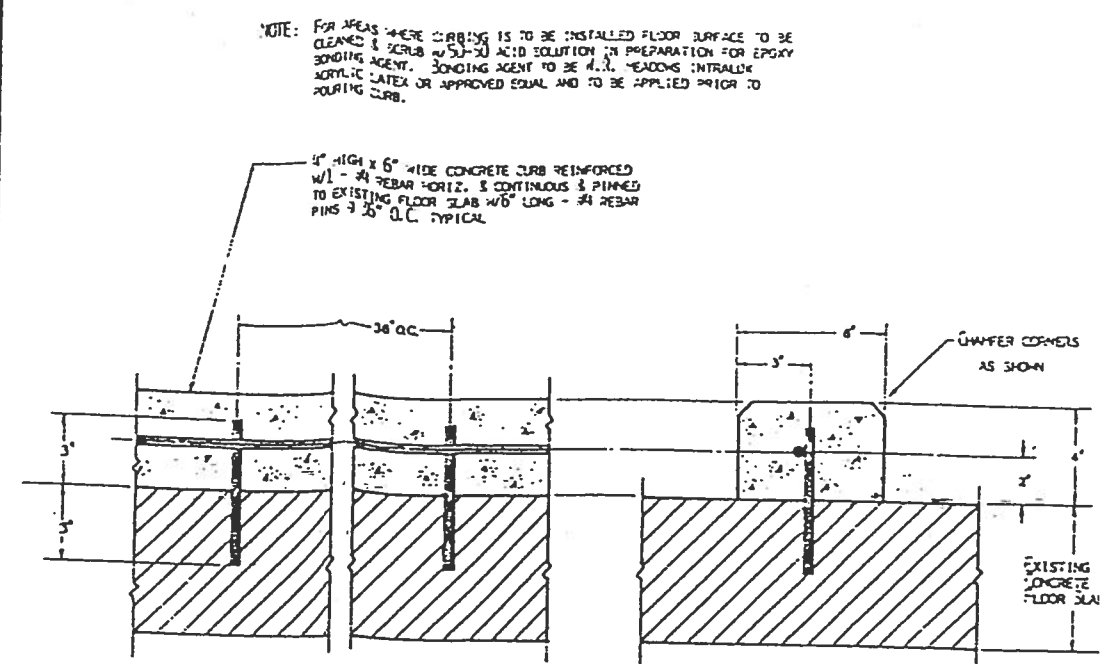
SECTION C-3 : TANK FARM SUMP
CONSTRUCTION DETAIL
SCALE: 1 1/2" = 1'-0"



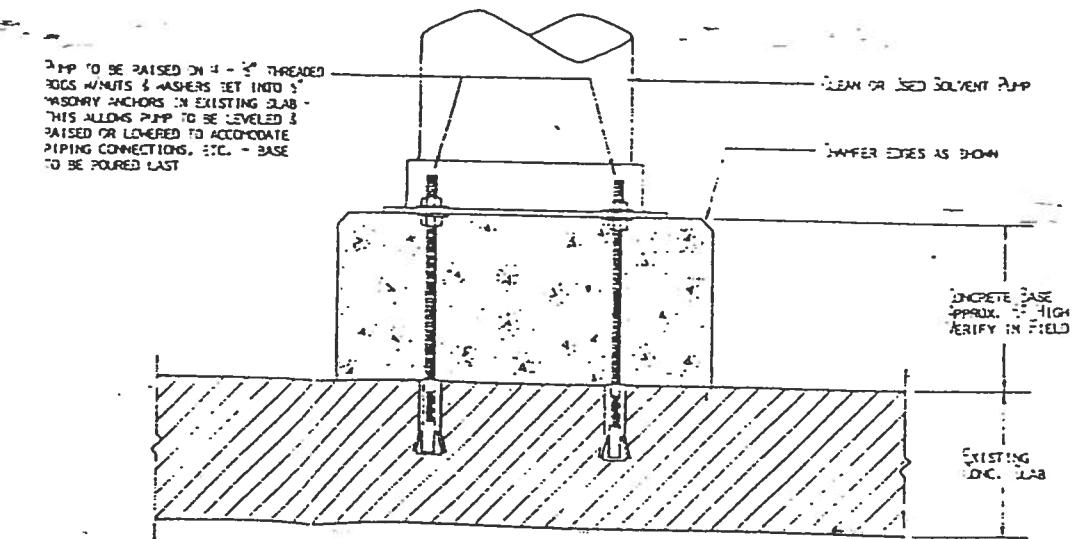
SECTION C-2 : SLAB CONSTRUCTION DETAIL
SCALE: 1" = 1'-0"



SECTION C-4 : RETURN & FILL AREA SUMP
CONSTRUCTION DETAIL
SCALE: 1 1/2" = 1'-0"



DETAIL D-1 : CURB CONSTRUCTION
SCALE: 3" = 1'-0"



DETAIL D-2 : PUMP BASE CONSTRUCTION
SCALE: 3" = 1'-0"

GENERAL NOTES

- 1 THIS DRAWING CONTAINS INFORMATION PROPRIETARY TO SAFETY-KLEEN CORP. ANY REPRODUCTION, DISCLOSURE OR USE OF THIS DRAWING IS EXPRESSLY PROHIBITED EXCEPT BY SAFETY-KLEEN OR AS SAFETY-KLEEN MAY AGREE IN WRITING.
- 2 THIS DRAWING SUPERCEDES SAFETY-KLEEN DRAWINGS C0240, C0252, C0257 AND C0255.
- 3 SEE INDIVIDUAL SERVICE CENTER PLANS FOR LOCATIONS OF THESE DETAILS.
- 4 CONCRETE TO OBTAIN 3,000 PSI STRENGTH IN 28 DAYS.
- 5 ALL ITEMS WITH SAFETY-KLEEN PART NO. REFERENCES WILL BE SUPPLIED TO CONTRACTOR.

3	VERT. BAR SPACING WAS 48"	W/LJ
4	ADDED NOTE 5 & PIPE STRAINER	W/LJ
	REV DESCRIPTION	BY
	Safety-Kleen Corp.	
	TYPICAL CONCRETE CONSTRUCTION DETAILS	