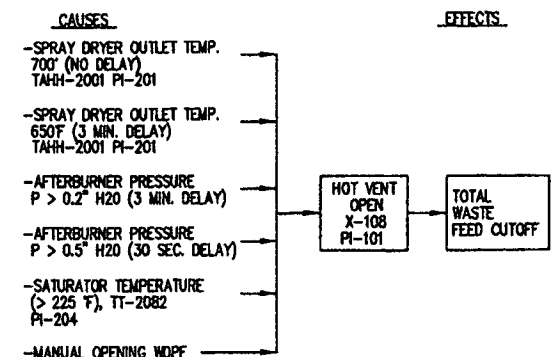
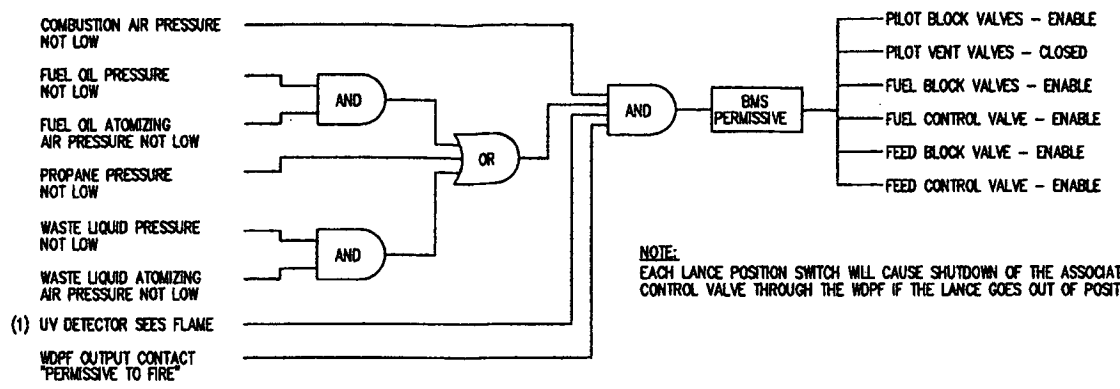


ABC HOT VENT OPENING

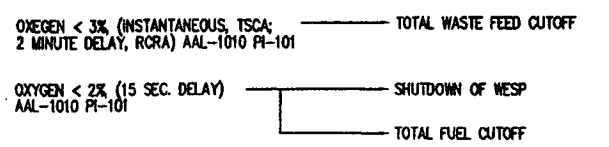


NOTE: WHEN THE HOT VENT OPENS ITS POSITION SWITCH WILL TRIGGER A TOTAL WASTE FEED CUTOFF VIA THE WOPF.

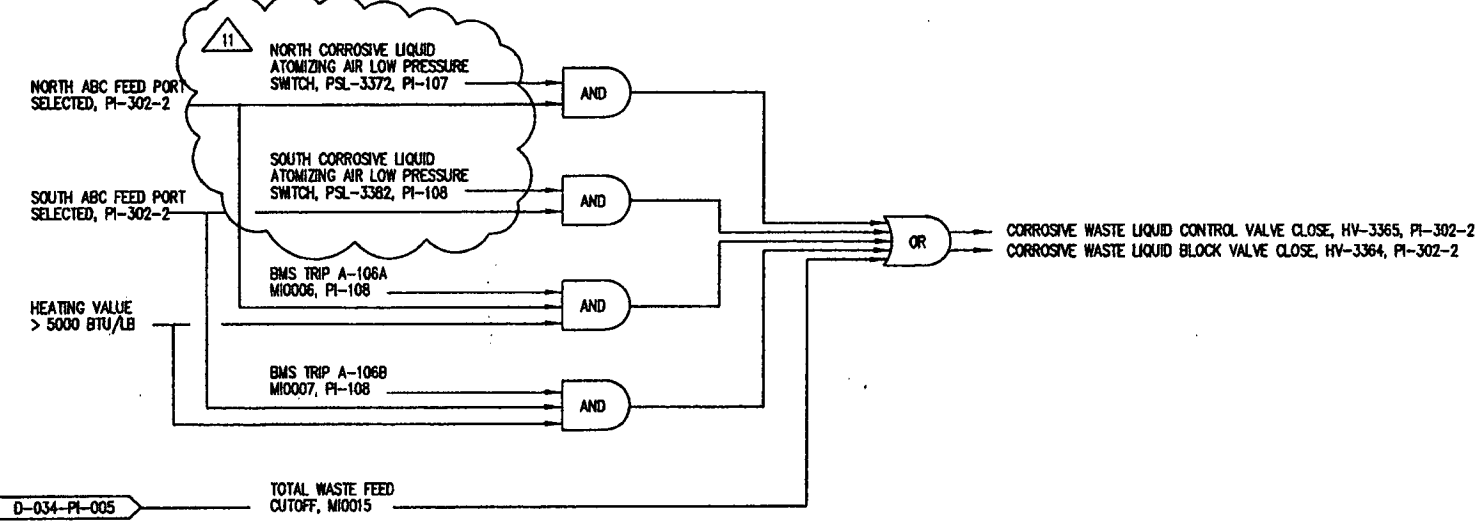
BURNER MANAGEMENT SYSTEM RUN TIME PERMISSIVE LOGIC DIAGRAM TYPICAL DURING NORMAL OPERATIONS



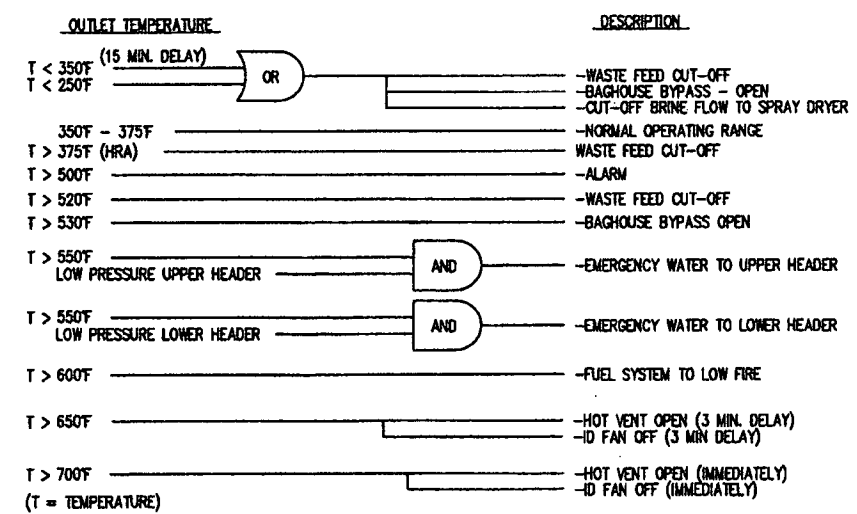
AFTERBURNER CHAMBER - LOW OXYGEN LOGIC DIAGRAM



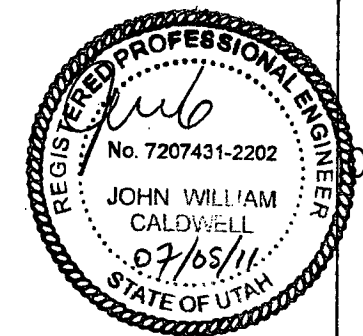
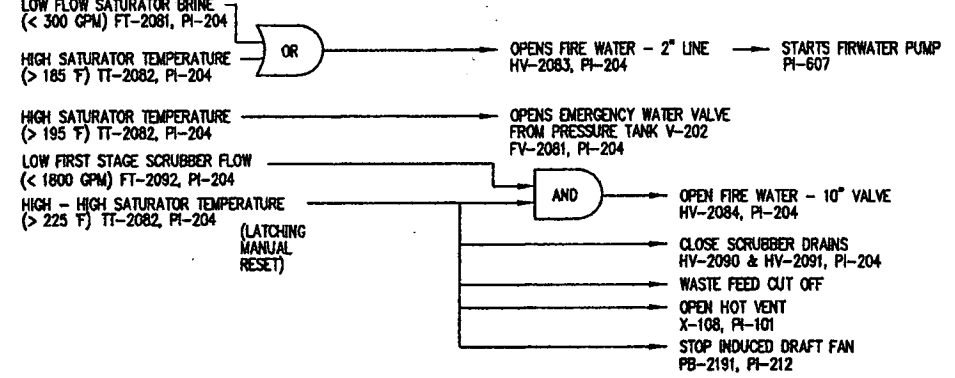
CORROSIVE WASTE FEED CUTOFFS



SPRAY DRYER OUTLET TEMPERATURE LOGIC DIAGRAM



SATURATOR EMERGENCY WATER FUNCTION SEQUENCE



NOTE:
1. WASTE FEED CUTOFF TEST MUST NOT BE JUMPED.

INTERLOCK DESCRIPTION	
NO	DESCRIPTION
1	CORRECTED CUTOFF CONDITIONS
2	ADDED 15 SEC. DELAY TO LOW OXYGEN LOGIC
3	ADDED T < 250F & 15 MIN. DELAY
4	NEW PERMIT REQUIREMENTS AS OF DEC 27
5	NEW AIR PERMIT REQUIREMENTS

REVISIONS					
NO	DESCRIPTION	DATE	BY	CHK	ENG MGR
1	CORRECTED CUTOFF CONDITIONS	04-22-11	LCC		
2	ADDED 15 SEC. DELAY TO LOW OXYGEN LOGIC	12-16-08	CRM		
3	ADDED T < 250F & 15 MIN. DELAY	09-18-00	GVC		
4	NEW PERMIT REQUIREMENTS AS OF DEC 27	1-15-02	KL		
5	NEW AIR PERMIT REQUIREMENTS	05-16-02	LC		

REVISIONS					
NO	DESCRIPTION	DATE	BY	CHK	ENG MGR
6	CHANGED SPRAY DRYER TEMP LIMIT	02-15-05	LC		
7	CHANGED PRESS COND FOR HOT VENT OPENING	10-20-06	LCC		
8	ADDED CAUSTIC WASTE FEED CUTOFFS	03-17-08	LCC		
9	CORRECTED VALVE NUMBERS	06-16-08	KL		
10	ADDED CORR SYS, and MODIFIED BMS LOGIC	08-05-10	LCC		

APPROVALS	
BY	DATE
DRAWN	12-16-08
CHECKED	
ELEC	
MECH	
STRUCT	
PROJECT ENG	
ENGINEERING MGR	
AS BUILT	

REGISTERED PROFESSIONAL ENGINEER
DATE: _____



UTAH ENVIRONMENTAL SERVICE CENTER INCINERATION PLANT FOR INDUSTRIAL WASTES OPERATING INTERLOCK SYSTEM SHEET 2			
FOR	TOOLES SITE	CAD NO.	MA274L
SCALE	JOB NO	SAFETY-KLEEN DWG NO	D-034-PI-006
		REV	11