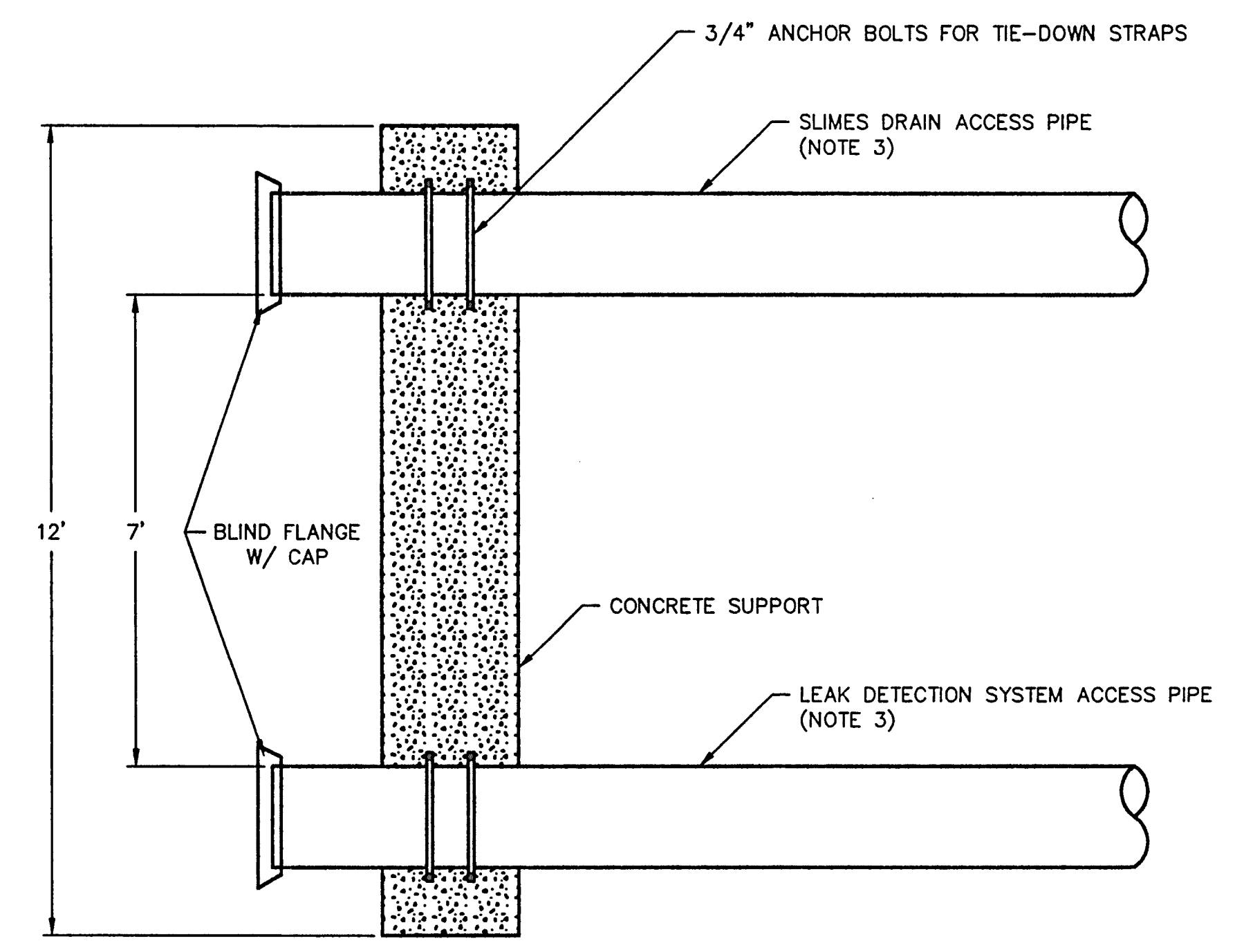
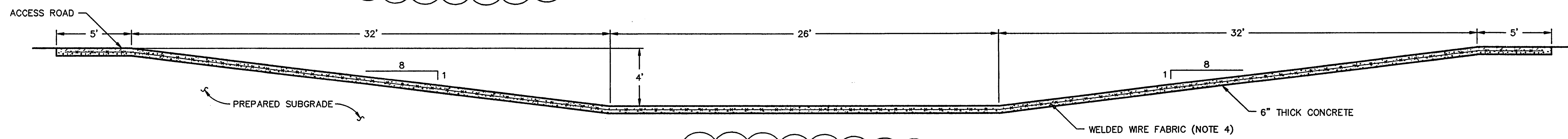


POINT #	NORTHING	EASTING	ELEVATION
143	319542.8711	2577481.2798	5600
144	319538.3476	2577494.0228	5600
145	319503.5037	2577496.5228	5596.3
146	319515.3611	2577463.1200	5596
147	319490.7627	2577454.7052	5596
148	319479.1526	2577487.4112	5596.3
149	319453.9250	2577462.8219	5600
150	319457.5650	2577452.5678	5600



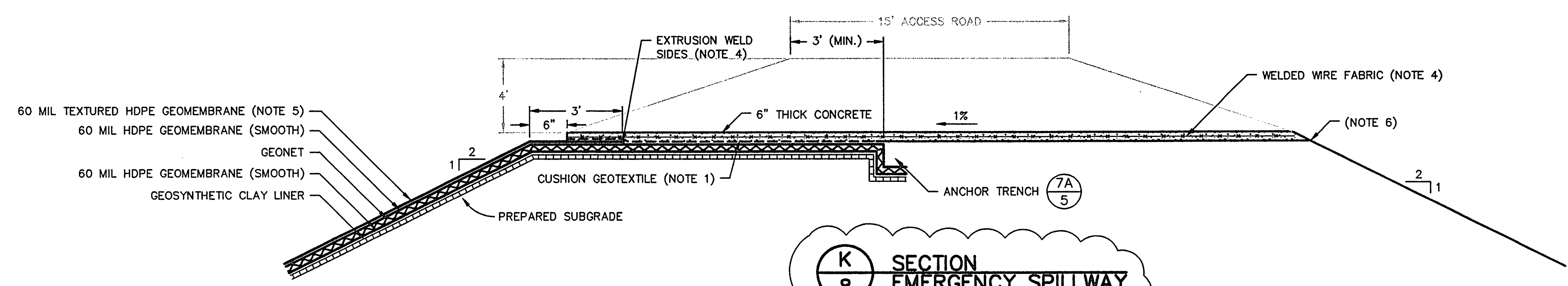
12
3 PLAN
EMERGENCY SPILLWAY
SCALE: NTS
REF: 03490004.DWG

13
3,4 PLAN
PIPE SUPPORT
SCALE: 1" = 2'
REF: 03490004.DWG



J
8 SECTION
EMERGENCY SPILLWAY
SCALE: 1" = 4'
REF: 03490003.DWG

- NOTES:
- CUSHION GEOTEXTILE SHALL BE PLACED OVERLYING PRIMARY GEOMEMBRANE WHERE CONCRETE IS INSTALLED.
 - DETAILS ARE SHOWN TO SCALE INDICATED EXCEPT FOR THE GEOSYNTHETICS, WHICH ARE SHOWN AT AN EXAGGERATED SCALE FOR CLARITY. SOIL THICKNESSES ARE MINIMUMS.
 - EXPOSED PVC PIPE SHALL BE PAINTED TO MINIMIZE DAMAGE DUE TO UV.
 - WELDED WIRE FABRIC SHALL BE INSTALLED AT MIDSECTION OF CONCRETE SLAB.
 - SPLASH PAD AT SPILLWAY SHALL BE 100' WIDE, SHALL EXTEND 5' ONTO THE FLOOR AND BE EXTERIOR WELDED ON ALL FOUR (4) SIDES TO PRIMARY GEOMEMBRANE.
 - CUT EXISTING GEOSYNTHETIC LINER SYSTEM AND FOLD BACK UNDER CONCRETE SPILLWAY.



K
8 SECTION
EMERGENCY SPILLWAY
SCALE: 1" = 4'
REF: 03490003.DWG

01/09/09	INTERROGATORY ROUND 1	MD	GTC
REV	DATE	DESCRIPTION	DRN APP
10875 RANCHO BERNARDO RD., SUITE 200 SAN DIEGO, CA 92127 PHONE: 858.674.6559		6425 S. HIGHWAY 191 P.O. BOX 809 BLANDING, UTAH 84511 PHONE: 858.674.6559	
TITLE: LINING SYSTEM DETAILS IV			
PROJECT: CELL 4B WHITE MESA MILL			
SITE: BLANDING, UTAH			
THIS DRAWING MAY NOT BE ISSUED FOR PROJECT TENDER OR CONSTRUCTION, UNLESS SEALED.		DESIGN BY: GTC DATE: JANUARY 2009 DRAWN BY: MAD PROJECT NO.: SC0349 CHECKED BY: RF FILE: REVIEWED BY: GTC DRAWING NO.: APPROVED BY: GTC 8 OF 8	

P:\PRA\SDG\cadd\CADD\SC0349\PlanSet_Cell 4b\SC0349_12-30-08_03490008.dwg