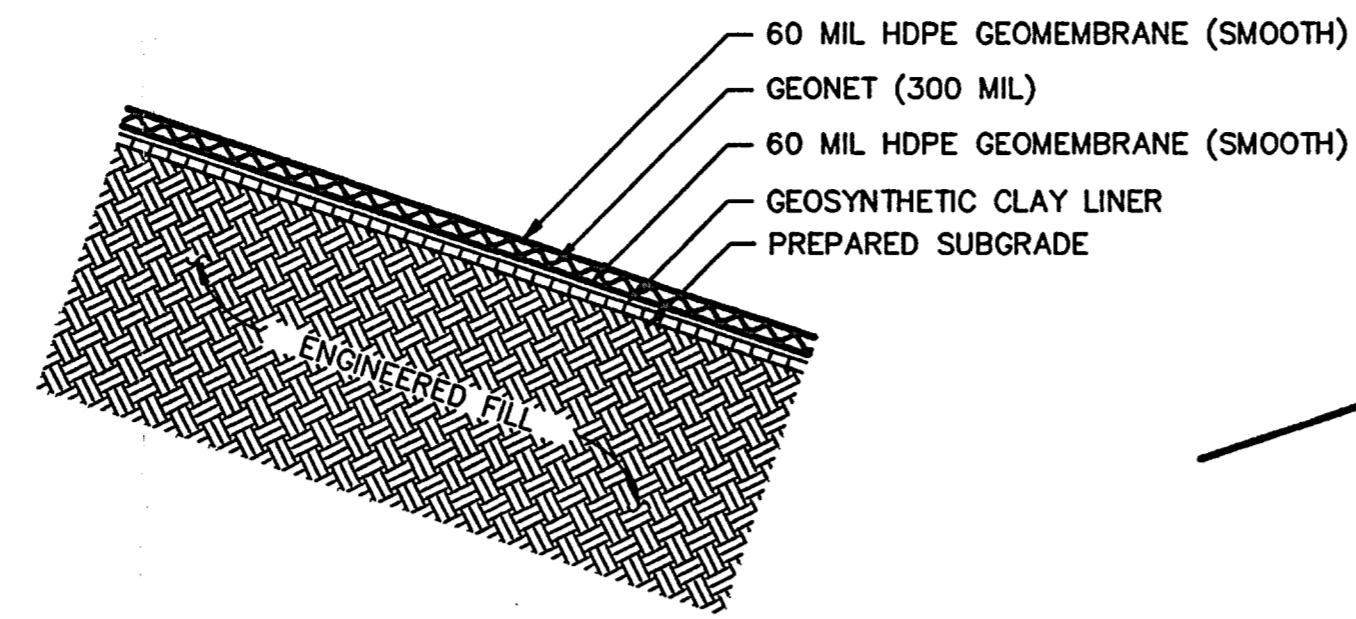
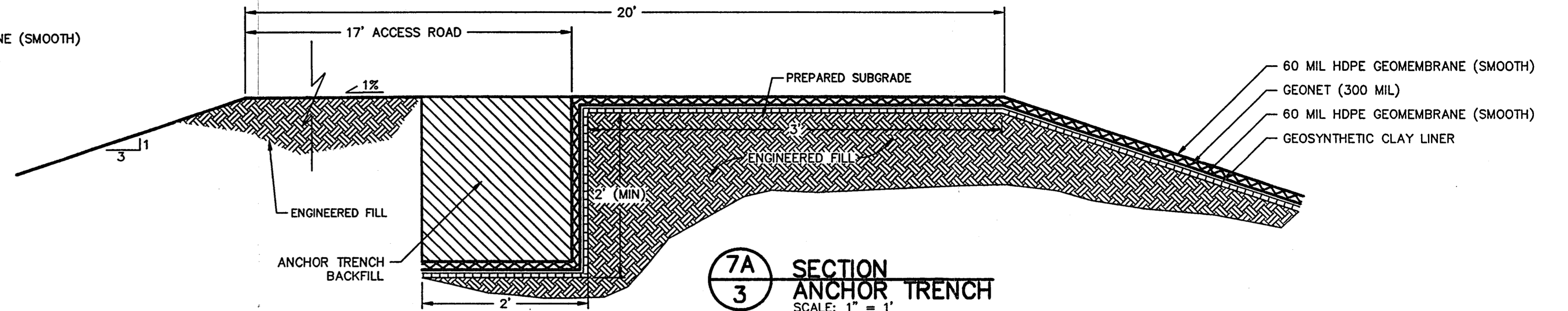


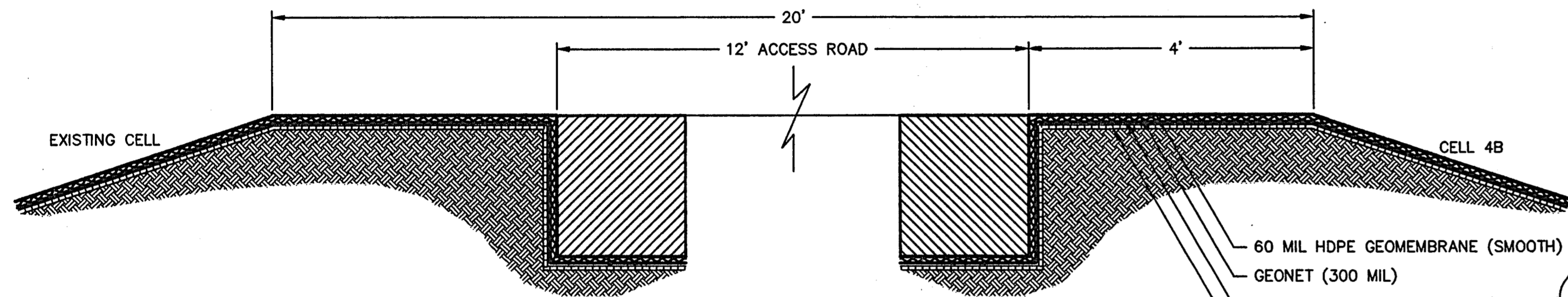
5
3 **DETAIL**
BASE LINER SYSTEM
SCALE: 1" = 1"
REF: 03481002.DWG



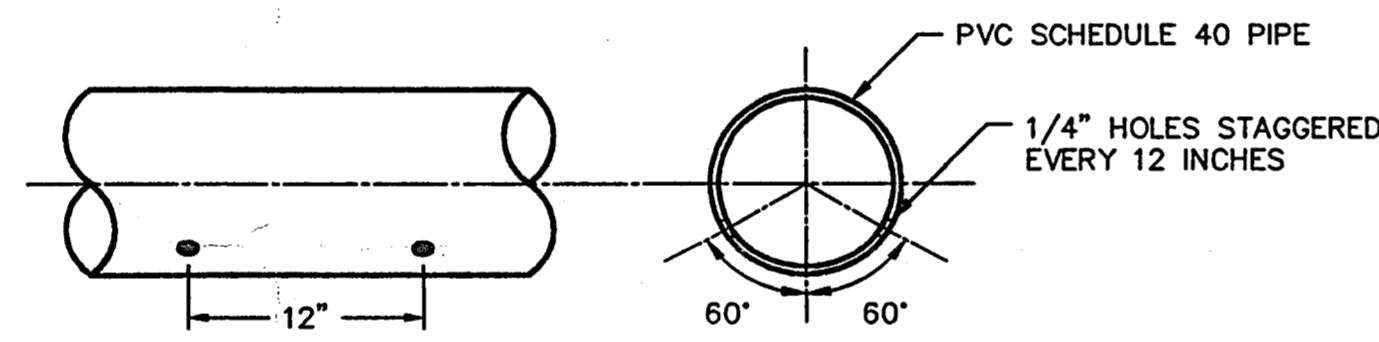
6
3 **DETAIL**
SIDE SLOPE LINER SYSTEM
SCALE: 1" = 1"
REF: 03481002.DWG



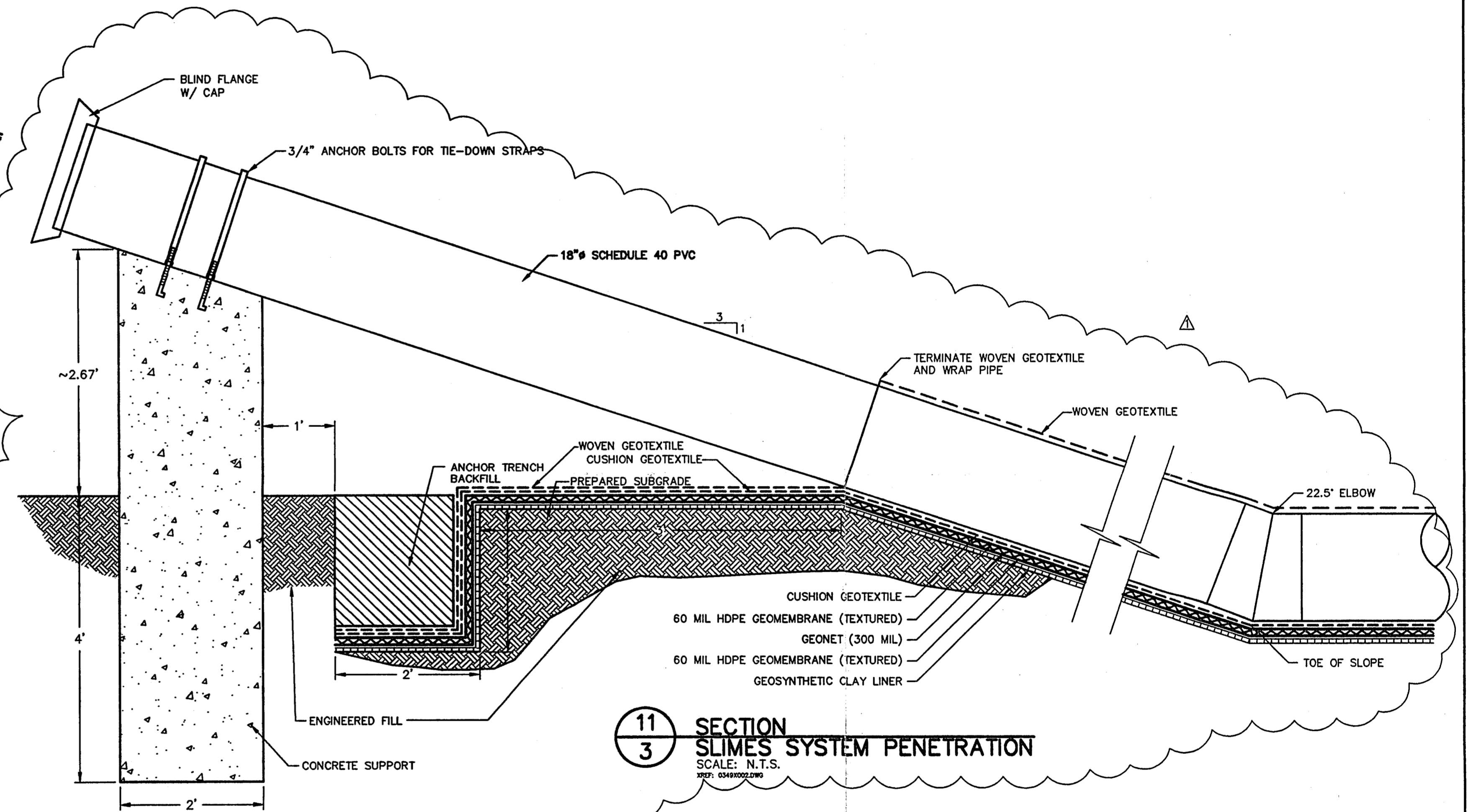
7A
3 **SECTION**
ANCHOR TRENCH
SCALE: 1" = 1"
REF: 03481002.DWG



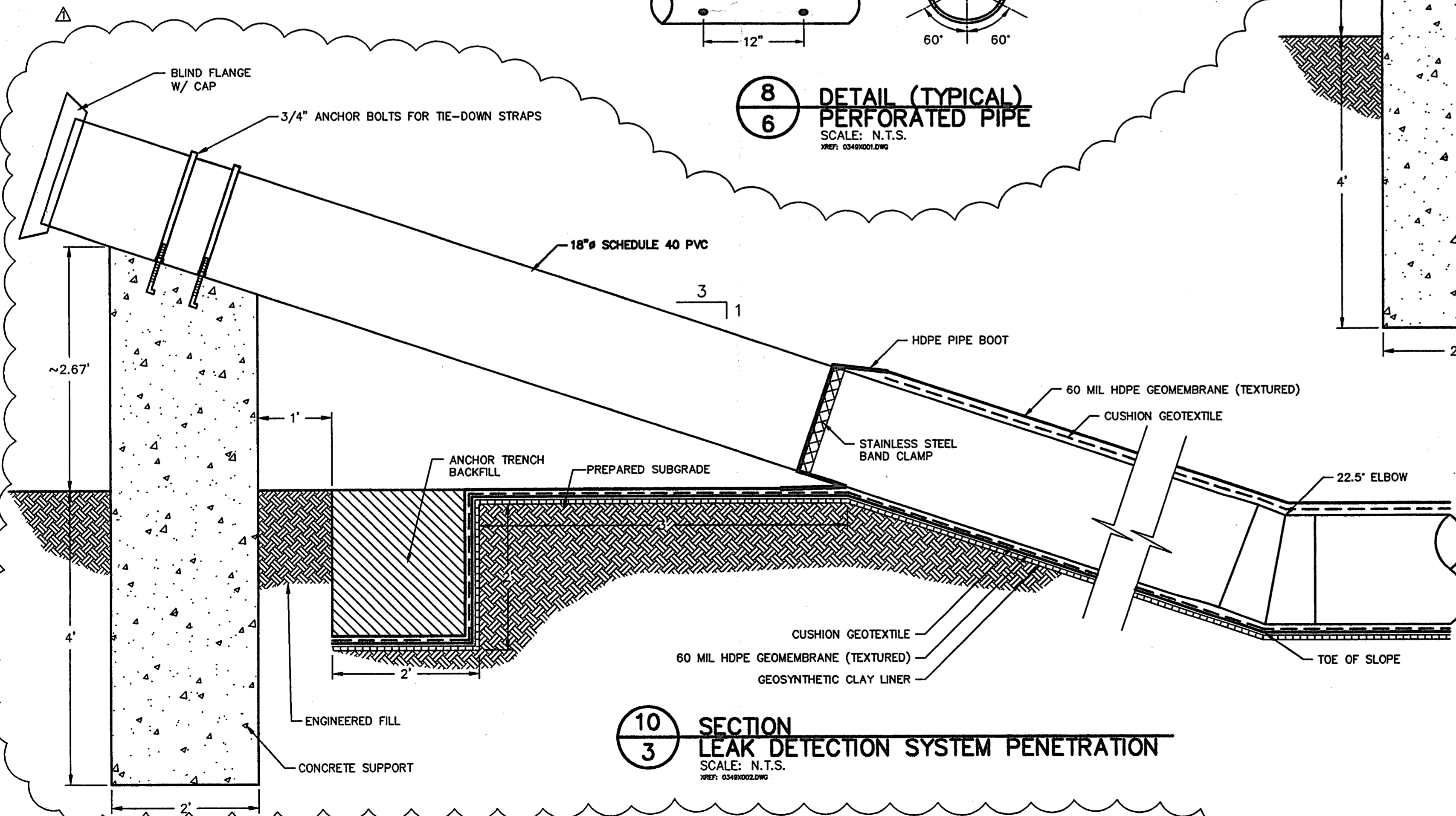
7B
3 **SECTION**
ACCESS ROAD
SCALE: N.T.S.
REF: 03481002.DWG



8
6 **DETAIL (TYPICAL)**
PERFORATED PIPE
SCALE: N.T.S.
REF: 03481001.DWG



11
3 **SECTION**
SLIMES SYSTEM PENETRATION
SCALE: N.T.S.
REF: 03481002.DWG



10
3 **SECTION**
LEAK DETECTION SYSTEM PENETRATION
SCALE: N.T.S.
REF: 03481002.DWG

NOTES:

1. PREPARED SUBGRADE AT CELL BASE SHALL CONSIST OF AT LEAST 6-INCHES OF FILL OVERLYING SANDSTONE IN ACCORDANCE WITH SECTIONS 02200 AND 02220 OF THE TECHNICAL SPECIFICATIONS.
2. DETAILS ARE SHOWN TO SCALE INDICATED EXCEPT FOR THE GEOSYNTHETICS, WHICH ARE SHOWN AT AN EXAGGERATED SCALE FOR CLARITY SOIL THICKNESS ARE MINIMUMS.
3. WOVEN GEOTEXTILE SHALL BE PROPEX 200 ST, SKAPS W-200, OR APPROVED EQUAL (WOVEN SLIT FILM, AOS = 40, FLOW RATE = 4 GPM/SF, GRAB STRENGTH = 200 LBS, PUNCTURE = 100 LBS)
4. EXPOSED PVC PIPE SHALL BE PAINTED TO MINIMIZE DAMAGE DUE TO UV.

01/09/09 INTERROGATORY ROUND 1		MD	GTC
REV	DATE	DESCRIPTION	DRN APP
10875 RANCHO BERNARDO RD, SUITE 200 SAN DIEGO, CA 92127 PHONE: 858.674.6559		6425 S. HIGHWAY 191 P.O. BOX 809 BLANDING, UTAH 84511 PHONE: 858.674.6559	
TITLE: LINING SYSTEM DETAILS I			
PROJECT: CELL 4B WHITE MESA MILL			
SITE: BLANDING, UTAH			
THIS DRAWING MAY NOT BE ISSUED FOR PROJECT TENDER OR CONSTRUCTION, UNLESS SEALED.		DESIGN BY: GTC	DATE: DECEMBER 2007
		DRAWN BY: MAD	PROJECT NO.: SC0349
		CHECKED BY: RF	FILE:
		REVIEWED BY: GTC	DRAWING NO.: 5 OF 8
		APPROVED BY: GTC	