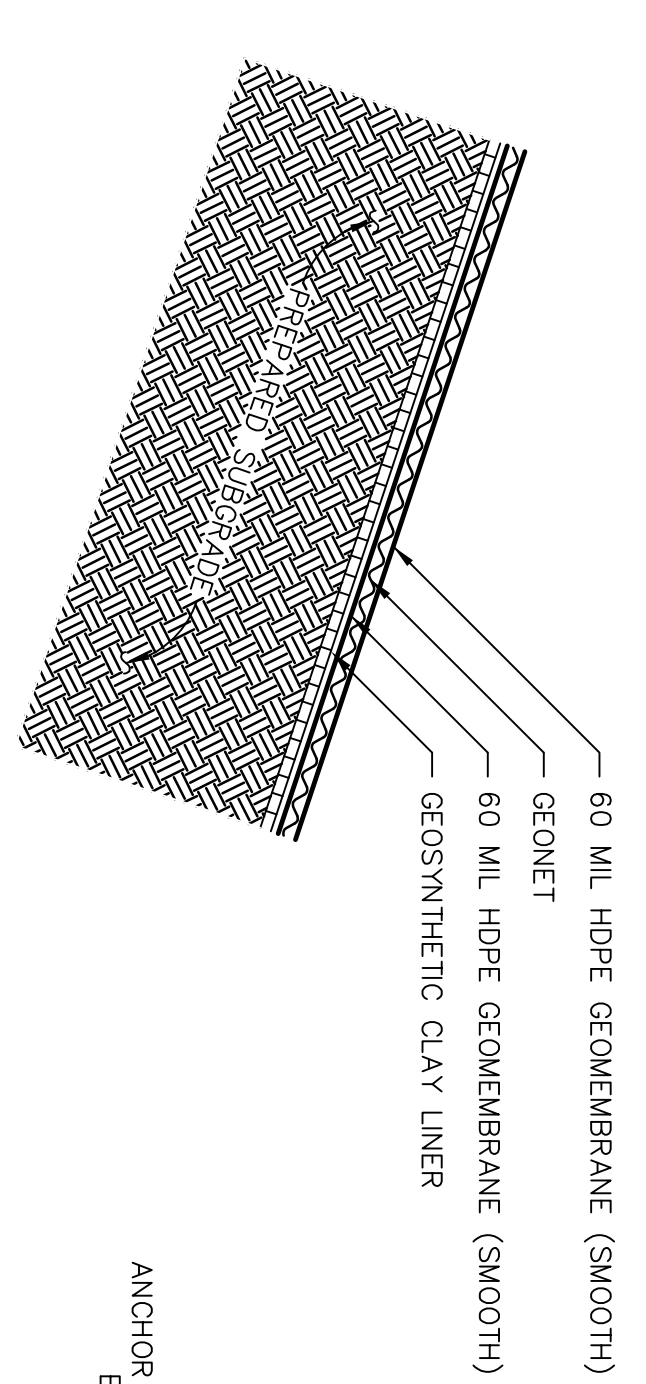
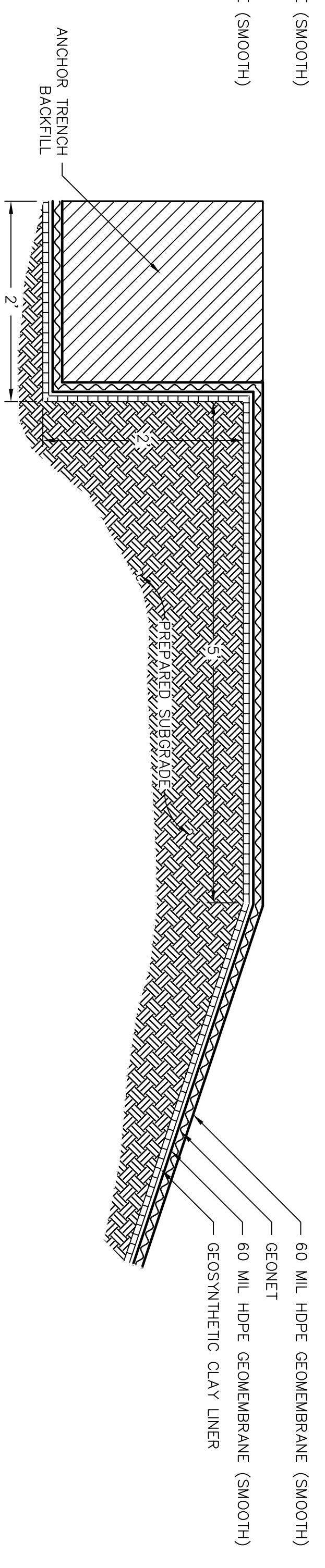


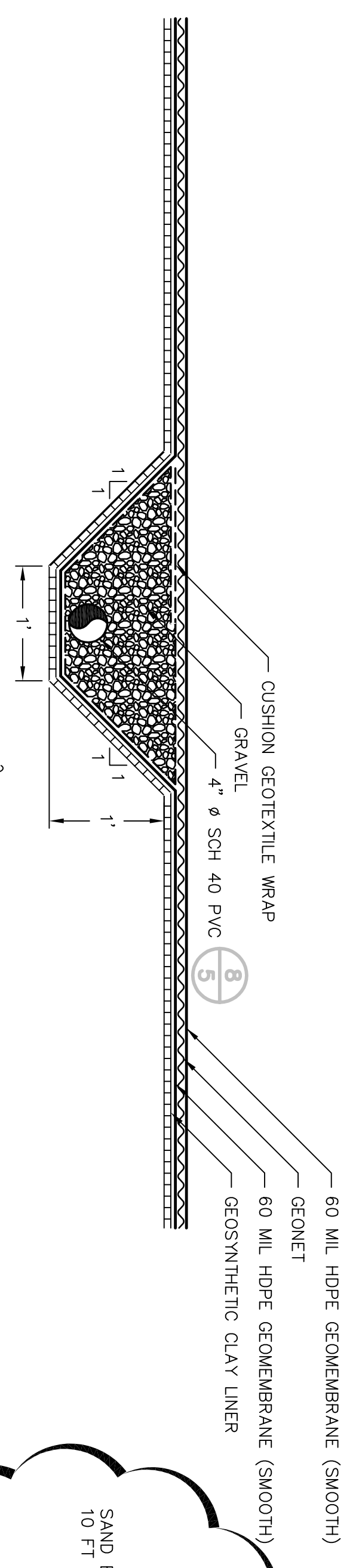
5
DETAIL
BASE LINER SYSTEM
SCALE: 1" = 1'
REF: 0349C002.DWG



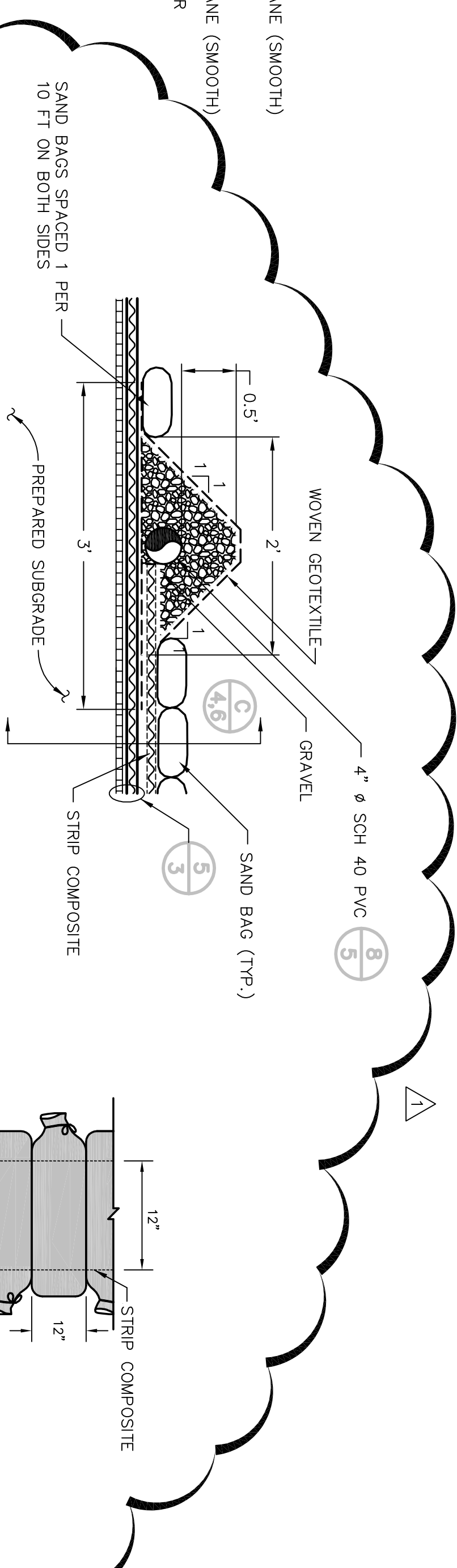
6
DETAIL
SIDE SLOPE LINER SYSTEM
SCALE: 1" = 1'
REF: 0349C002.DWG



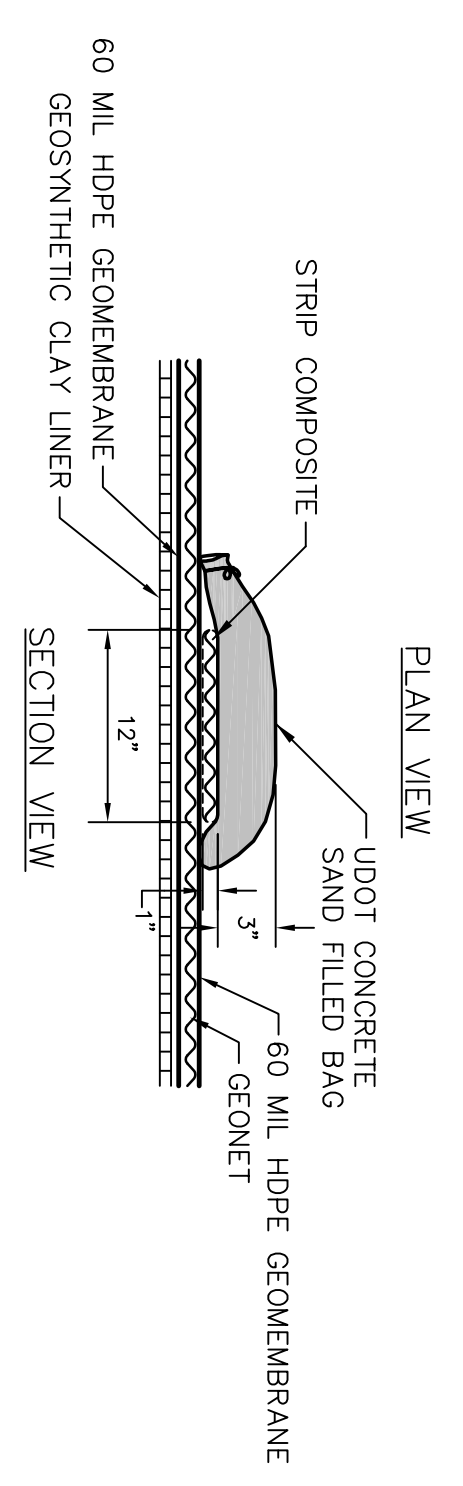
7
SECTION
ANCHOR TRENCH
SCALE: 1" = 1'
REF: 0349C002.DWG



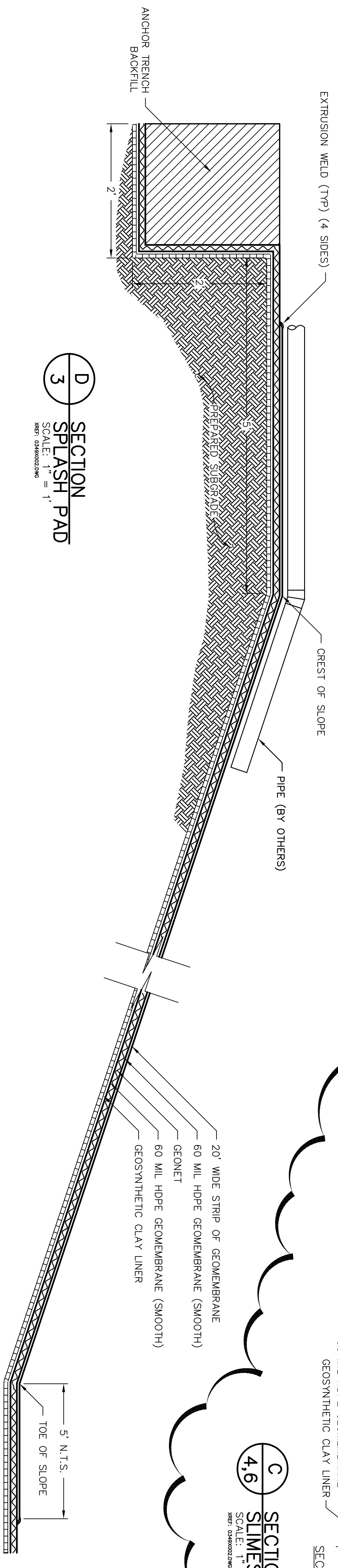
5,4,6
SECTION
LEAK DETECTION SYSTEM
SCALE: 1" = 1'
REF: 0349C002.DWG



4,6
SECTION
SLIMES DRAIN HEADER
SCALE: 1" = 1'
REF: 0349C002.DWG



4,6
SECTION
SLIMES DRAIN LATERAL
SCALE: 1" = 1'
REF: 0349C002.DWG



3
SECTION
SPLASH PAD
SCALE: 1" = 1'
REF: 0349C002.DWG

NOTES:

1. DETAILS ARE SHOWN TO SCALE INDICATED EXCEPT FOR THE GEOSYNTHETICS. WIDTH ARE SHOWN AT AN EXAGGERATED SCALE FOR CLARITY. SOIL THICKNESS ARE NINNUMUS.
2. WOVEN GEOTEXTILE SHALL BE SYNTHETIC INDUSTRIES 200 ST. CONTECH C-200, OR APPROVED EQUAL (WOVEN SILT FILM, ADS = 40, FLOW RATE = 6 GPM /5"7" GRAB STRENGTH = 200 LBS, PUNCTURE = 100 LBS.)

REV	DATE	DESCRIPTION	MD	GTC
1	6/15/07	ISSUED REVISIONS		GTC
0	06/02/06	BID SET		GTC

Geosyntec
consultants
10875 RANCHO BERNARDO RD., SUITE 200
POMONA, CA 92666
PHONE: 951.74.4559



TITLE: LINING SYSTEM DETAILS I
PROJECT: CELL 4A WHITE MESA MILL
SITE: BLANDING, UTAH

DESIGN BY:	GTC	DATE:	JUNE 2007
DRAWN BY:	MAD	PROJECT NO.:	GR3762
CHECKED BY:	GTC	FILE:	
REVIEWED BY:	GTC	DRAWING NO.:	
APPROVED BY:	GTC	DATE:	5 OF 7

THIS DRAWING MAY NOT BE ISSUED FOR CONSTRUCTION, UNLESS SEALED.

SIGNATURE