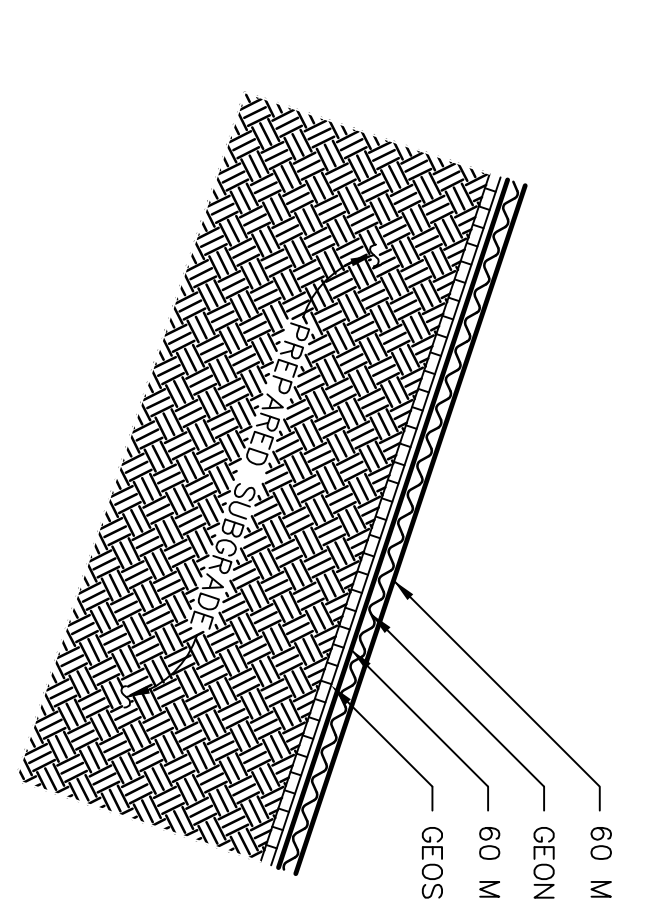
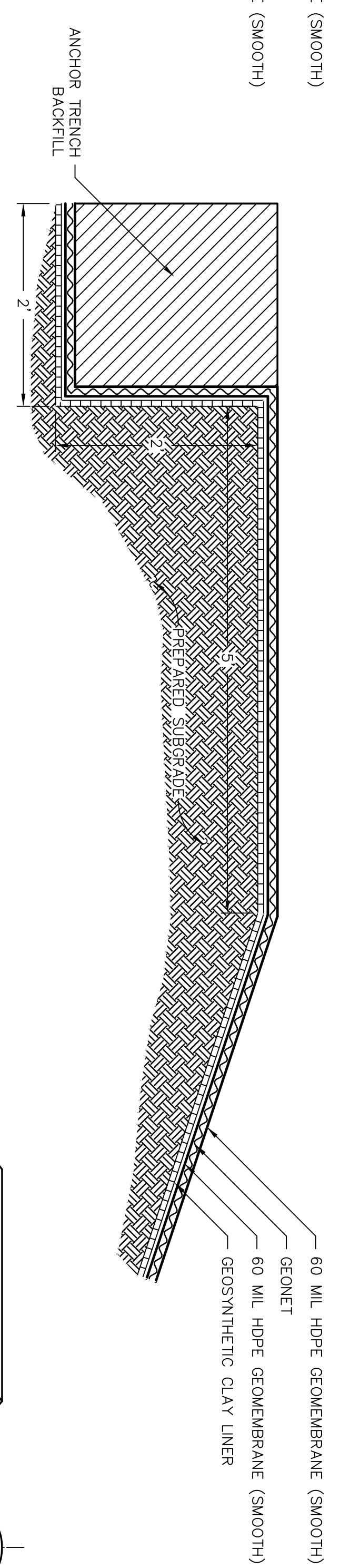


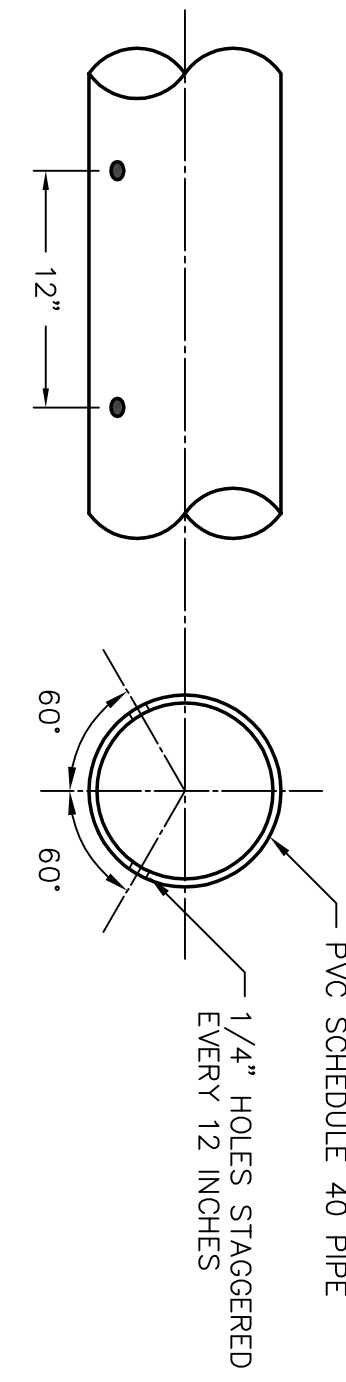
5 **DETAIL**
3 **BASE LINER SYSTEM**
SCALE: 1" = 1'
REF: 0349C002.DWG



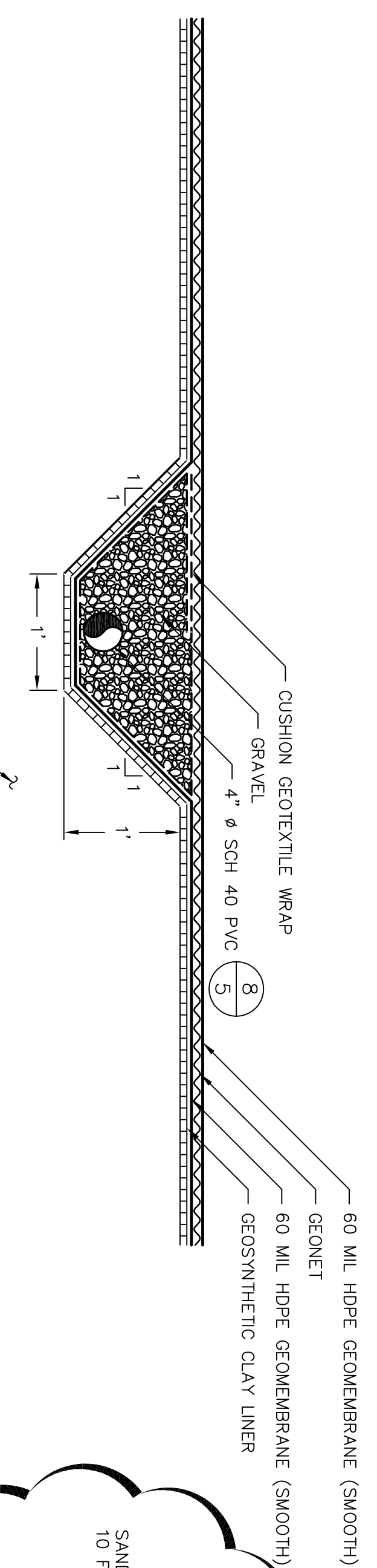
6 **DETAIL**
3 **SIDE SLOPE LINER SYSTEM**
SCALE: 1" = 1'
REF: 0349C002.DWG



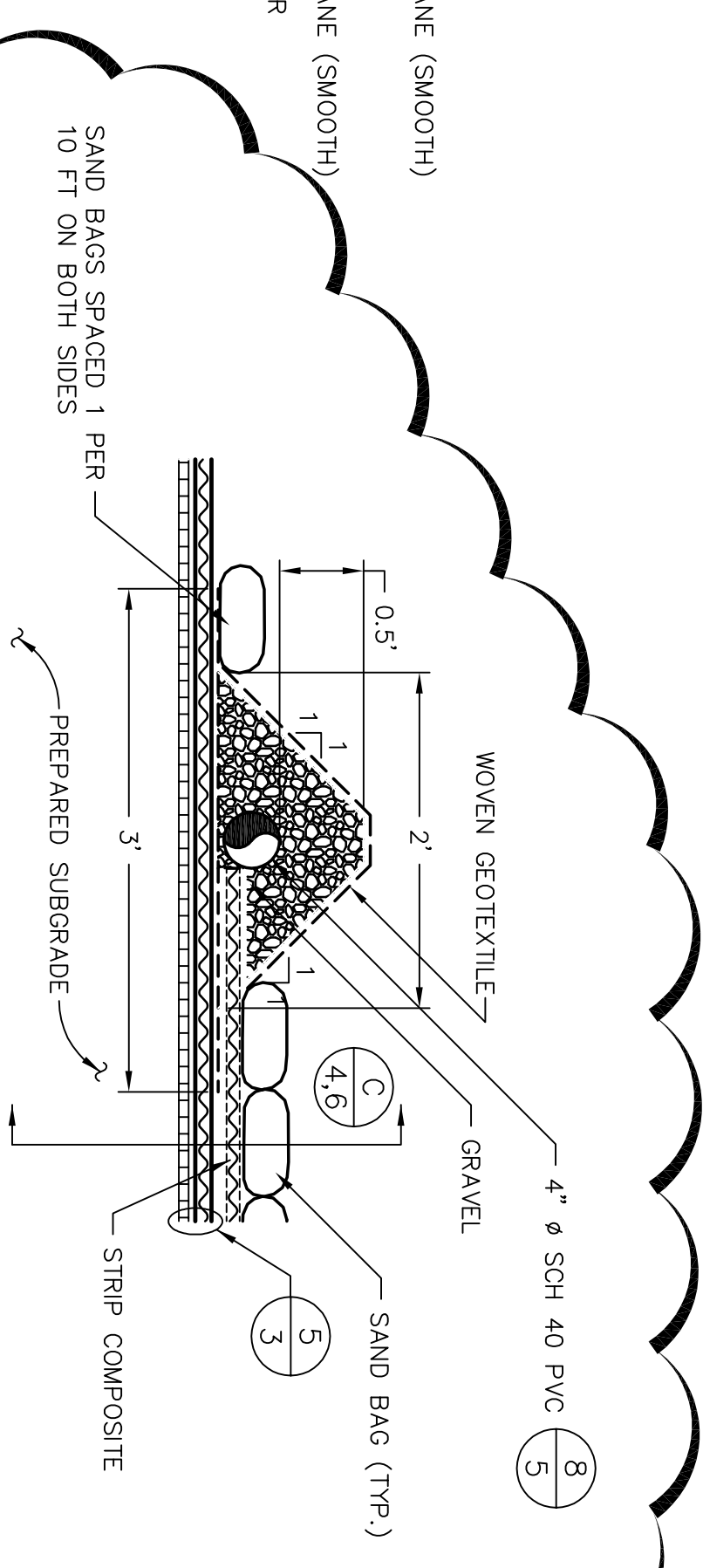
7 **SECTION**
3,7 **ANCHOR TRENCH**
SCALE: 1" = 1'
REF: 0349C002.DWG



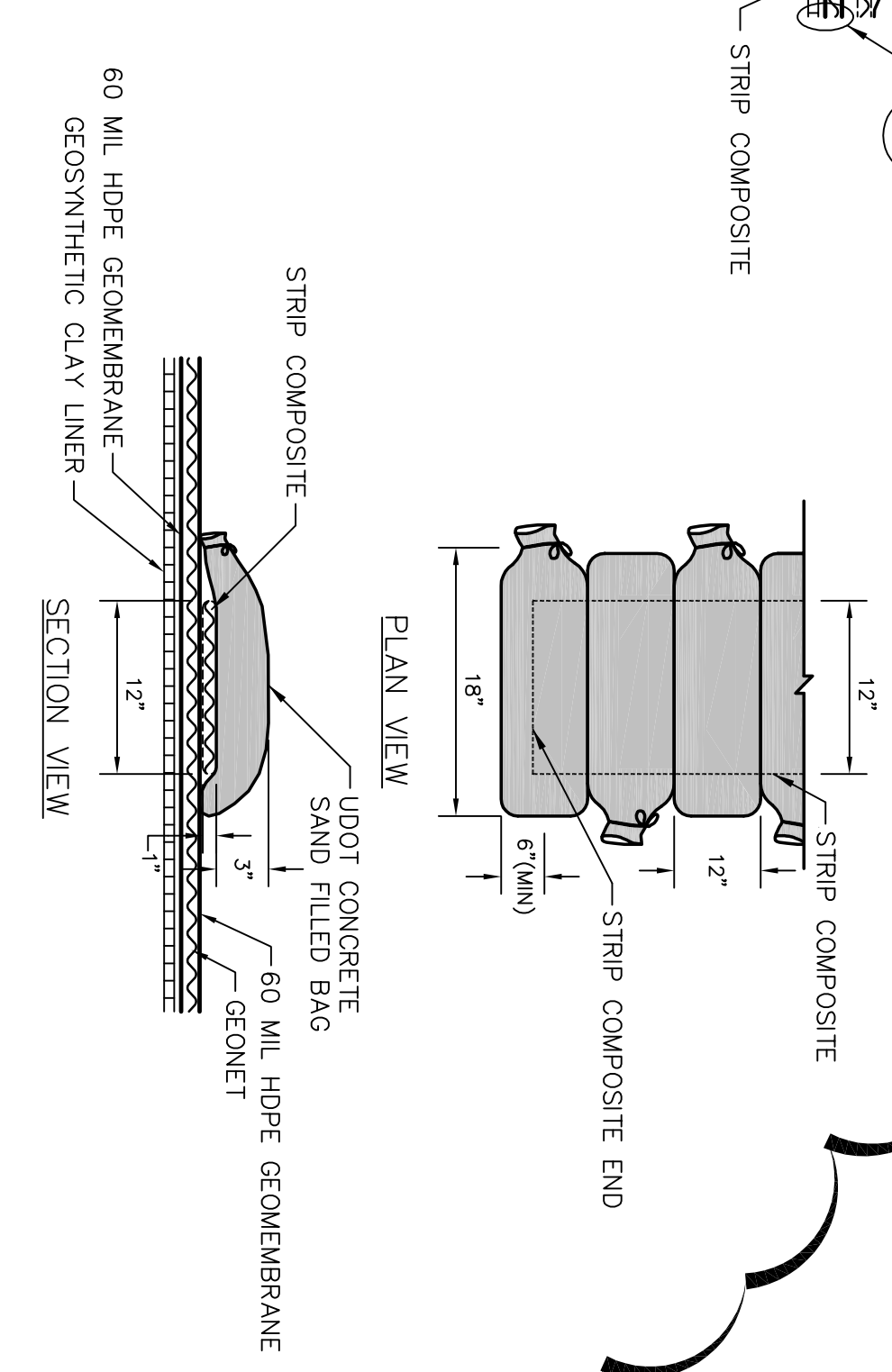
8 **DETAIL (TYPICAL)**
5 **PERFORATED PIPE**
SCALE: N.T.S.
REF: 0349C002.DWG



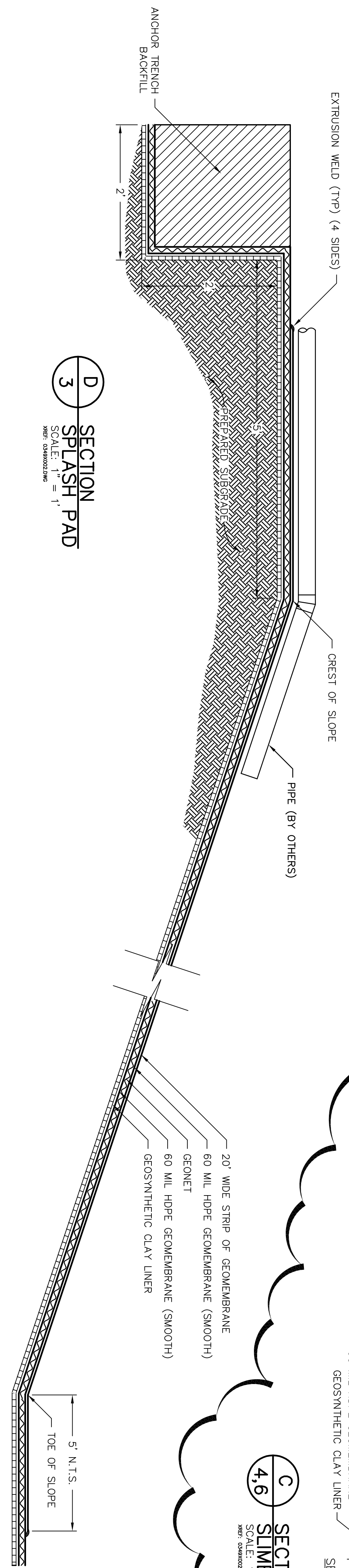
A **SECTION**
3,4,6 **LEAK DETECTION SYSTEM**
SCALE: 1" = 1'
REF: 0349C002.DWG



B **SECTION**
4,6 **SLIMES DRAIN HEADER**
SCALE: 1" = 1'
REF: 0349C002.DWG



C **SECTION**
4,6 **SLIMES DRAIN LATERAL**
SCALE: 1" = 1'
REF: 0349C002.DWG



D **SECTION**
3 **SPLASH PAD**
SCALE: 1" = 1'
REF: 0349C002.DWG

- NOTES:**
1. DETAILS ARE SHOWN TO SCALE INDICATED EXCEPT FOR THE GEOSYNTHETICS. WHICH ARE SHOWN AT AN EXAGGERATED SCALE FOR CLARITY. SOIL THICKNESS ARE MINIMUMS.
 2. WOVEN GEOTEXTILE SHALL BE SYNTHETIC INDUSTRIES 200 ST. CONTECH C-200. OR APPROVED EQUAL. (WOVEN SILT FILM. ADS = 40. FLOW RATE = 6 GPM /5F. GRAB STRENGTH = 200 LBS. PUNCTURE = 100 LBS.)

REV	DATE	DESCRIPTION	MD	GTC
1	6/15/07	100% REVISIONS	JAK	GTC
0	06/02/06	BID SET	JAK	GTC

Geosyntec[®]
consultants

10875 RANCHO BERNARDO RD, SUITE 200
BLANDING, UTAH 84511
PHONE: 959.674.6559

DENISONMINES
6425 S. HIGHWAY 191
P.O. BOX 809
BLANDING, UTAH 84511
PHONE: 959.674.6559

TITLE: LINING SYSTEM DETAILS I
PROJECT: CELL 4A WHITE MESA MILL
SITE: BLANDING, UTAH

DESIGN BY: GTC	DATE: JUNE 2007
DRAWN BY: MAD	PROJECT NO.: SC0349
CHECKED BY: GTC	FILE:
REVIEWED BY: GTC	DRAWING NO.: 5 OF 7
APPROVED BY: GTC	

THIS DRAWING MAY NOT BE ISSUED FOR CONSTRUCTION UNLESS SEALED.
DATE: _____