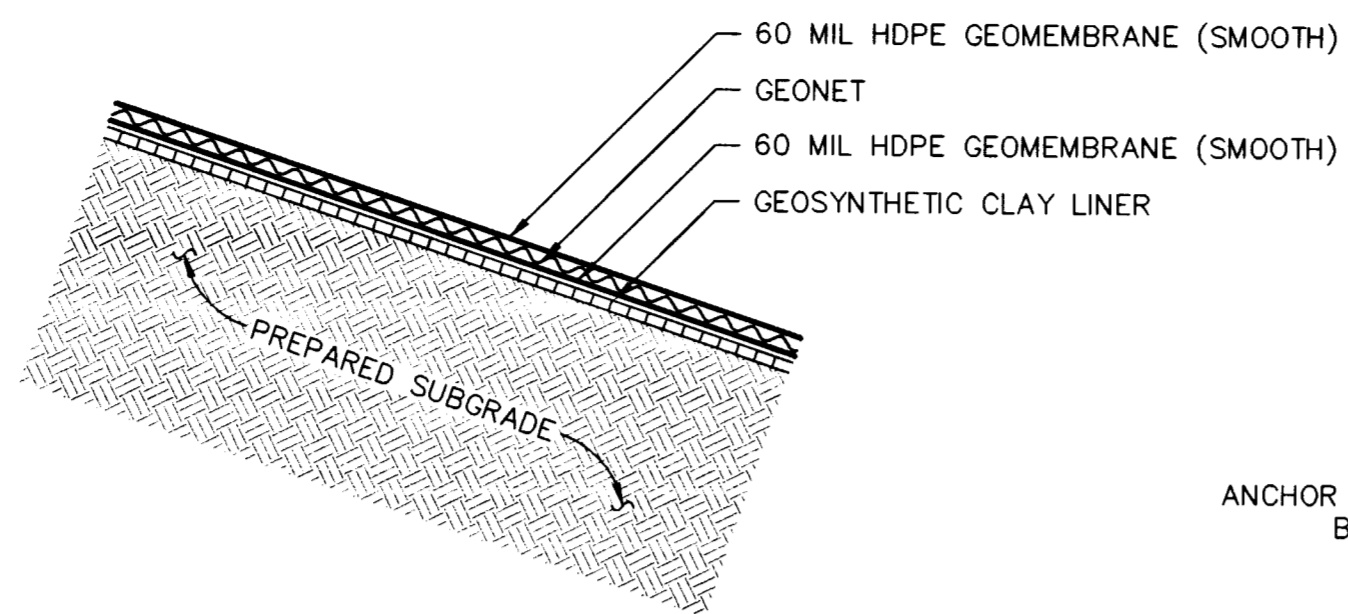
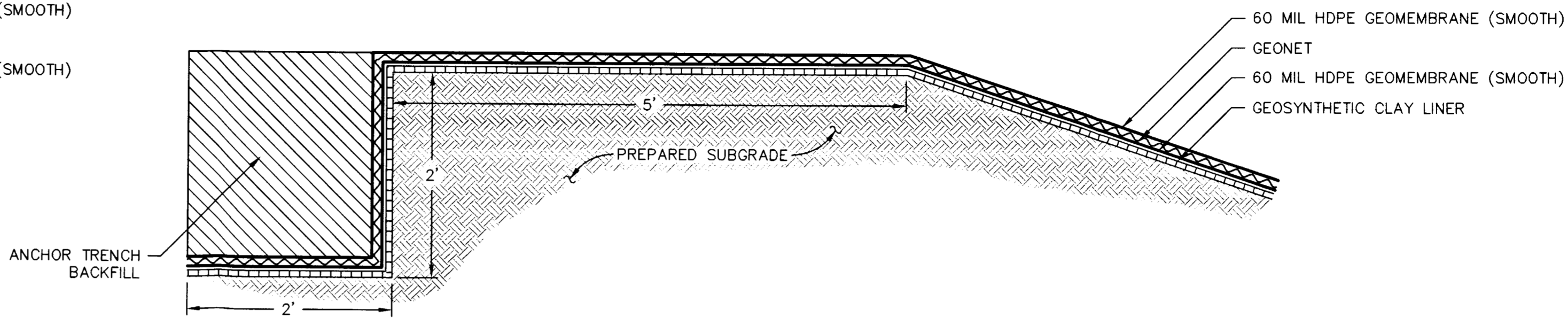


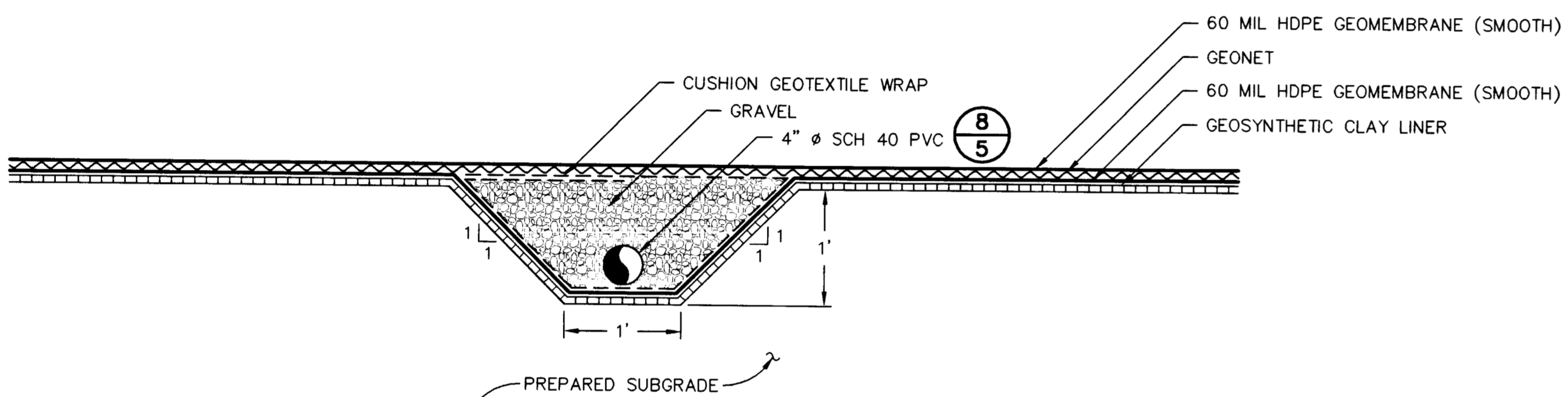
**5**  
**3** **DETAIL**  
**BASE LINER SYSTEM**  
SCALE: 1" = 1"  
XREF: 0349X002.DWG



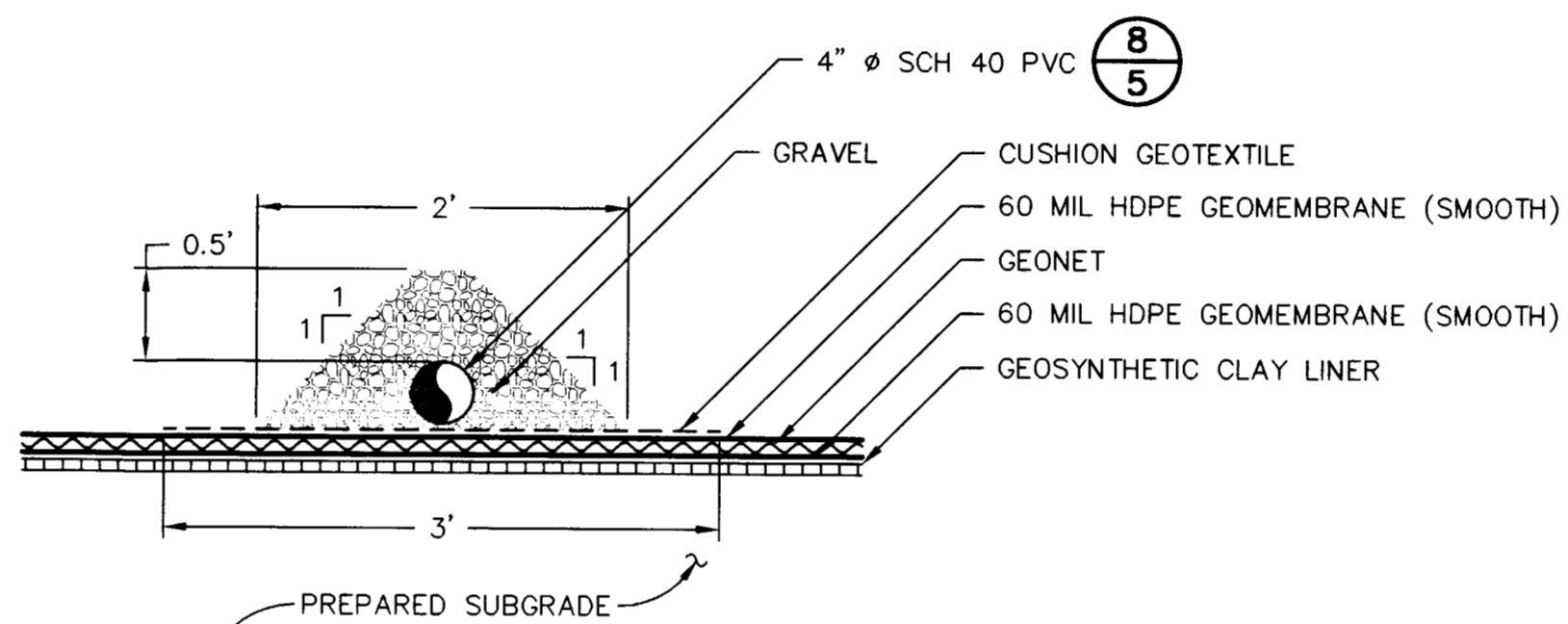
**6**  
**3** **DETAIL**  
**SIDE SLOPE LINER SYSTEM**  
SCALE: 1" = 1"  
XREF: 0349X002.DWG



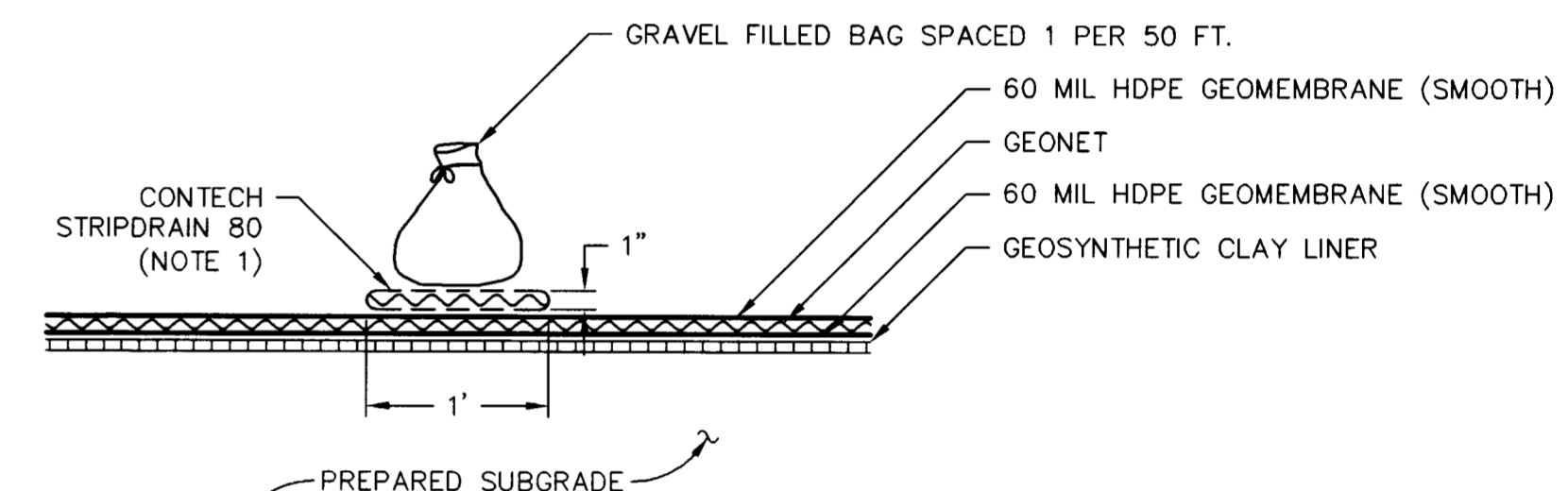
**7**  
**3,7** **SECTION**  
**ANCHOR TRENCH**  
SCALE: 1" = 1"  
XREF: 0349X002.DWG



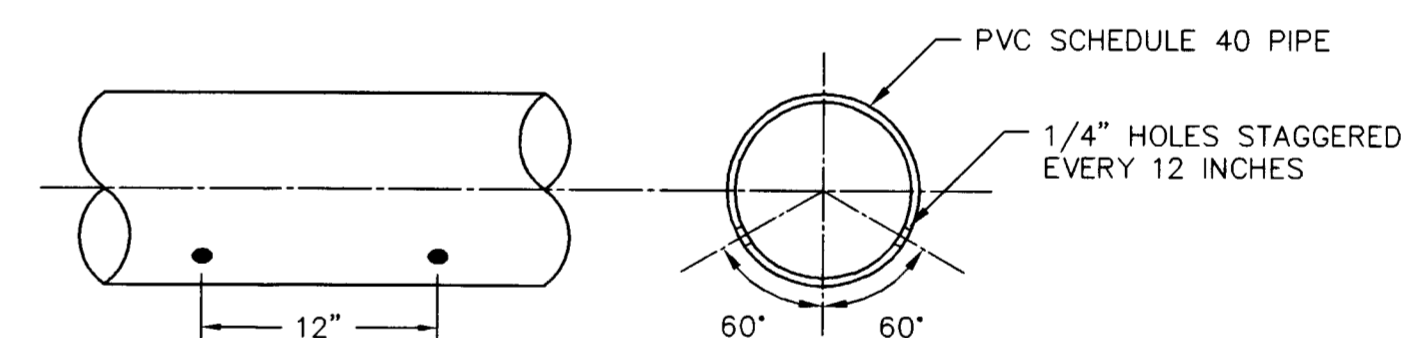
**A**  
**3,4,6** **SECTION**  
**LEAK DETECTION SYSTEM**  
SCALE: 1" = 1"  
XREF: 0349X002.DWG



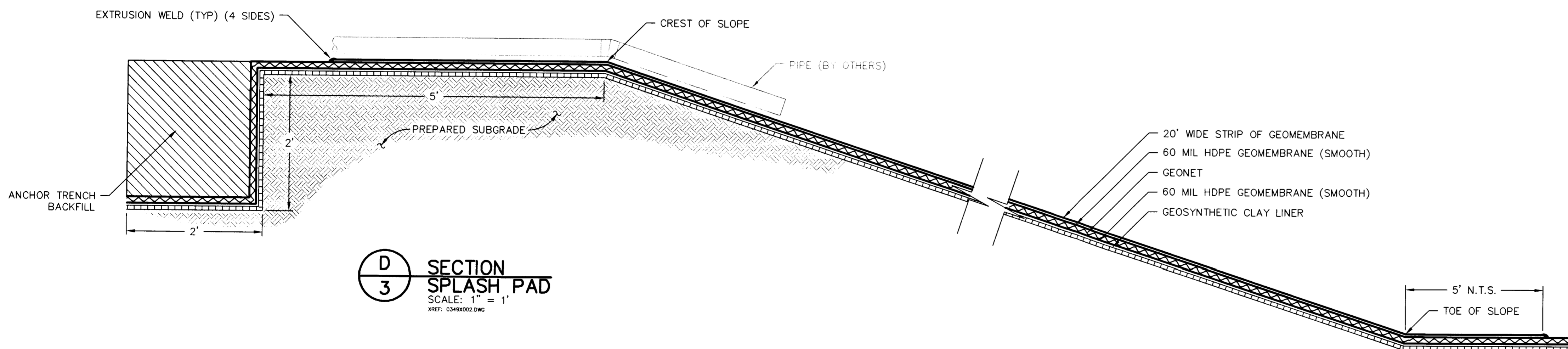
**B**  
**4,6** **SECTION**  
**SLIMES DRAIN HEADER**  
SCALE: 1" = 1"  
XREF: 0349X002.DWG



**C**  
**4,6** **SECTION**  
**SLIMES DRAIN LATERAL**  
SCALE: 1" = 1"  
XREF: 0349X002.DWG



**8**  
**5** **DETAIL (TYPICAL)**  
**PERFORATED PIPE**  
SCALE: N.T.S.  
XREF: 0349X001.DWG



**D**  
**3** **SECTION**  
**SPLASH PAD**  
SCALE: 1" = 1"  
XREF: 0349X002.DWG

NOTES:

1. CONTECH STRIPDRAIN 80 TO CONNECT TO 4" DIAMETER PVC HEADER PIPE USING STANDARD END OUTLET FITTING. OPEN ENDS OF CONTECH STRIPDRAIN 80 TO BE TAPED CLOSED.
2. DETAILS ARE SHOWN TO SCALE INDICATED EXCEPT FOR THE GEOSYNTHETICS, WHICH ARE SHOWN AT AN EXAGGERATED SCALE FOR CLARITY, SOIL THICKNESS ARE MINIMUMS.

**IUC** **GEOSYNTEC CONSULTANTS**  
11305 RANCHO BERNARDO ROAD, SUITE 101  
SAN DIEGO, CALIFORNIA 92127  
TELEPHONE: (858) 674-6559

PROJECT: CELL 4A, WHITE MESA MILL  
BLANDING, UTAH

TITLE: LINING SYSTEM DETAILS I

MARK	DATE	REVISION	BY	APPROVED
		DATE: JANUARY 2006		SCALE: AS SHOWN
		DESIGN BY: GTC		JOB NO.: SC0349-01
		DRAWN BY: SLB		FILE NO: 0349C005
		CHECKED BY: GTC		DOCUMENT NO: -----
		REVIEWED BY: GTC		DRAWING NO: -----
		APPROVED BY: GTC		<b>5</b> OF <b>7</b>

**PERMIT DRAWINGS**  
**NOT FOR CONSTRUCTION**